

# The Parts Book



# The Generic Parts Book

This parts book pertains to Dixie-Narco built venders listed:

1. **Can Display**  
(0001-3156DN & higher)
2. **Cold Drink FLS (Full Length Sign)**  
(wide: :0001-6103DQ & higher/ narrow: 0001-6122AR & higher)
3. **Dr. Pepper (D3)**  
(0001-3007CL & higher)
4. **Generic Round**  
(0001-3036AM & higher)
5. **7UP - (B7)**  
(0001-3028AM & higher)
6. **Veryfine Circular**  
(0001-3194CO to 0001-6169AS)
7. **Veryfine / RC Inverted "L" Circular**  
(0001-6169AS & higher)

Please note, when ordering all parts, it is very important to be specific on the part number, style, model number, and serial number of the vender. All of this information can be found on the serial plate.

This parts book also includes part numbers and descriptions for VRV (Vandal Resistant Venders), MPC (Multiprice Controller), and SII (Series II Electronic) venders that pertain to above listed style venders.

Dixie-Narco has a specific lettering system at the end of the serial number which indicates the quarter and the year in which the vender was manufactured.

The lettering system started in the year 1976 with the letter A. Quarters are dated on a calendar basis and indicated by the first letter.

A = First Quarter                      C = Third Quarter  
B = Second Quarter                  D = Fourth Quarter

Years are dated and indicated by the second letter.

A = 1976	F = 1981	K = 1986	P = 1991	U = 1996
B = 1977	G = 1982	L = 1987	Q = 1992	V = 1997
C = 1978	H = 1983	M = 1988	R = 1993	W = 1998
D = 1979	I = 1984	N = 1989	S = 1994	X = 1999
E = 1980	J = 1985	O = 1990	T = 1995	Y = 2000
				Z = 2001

For Example:

Part #: 900,301,640.01  
Model #: DNCB 440/252-7  
Style #: Generic Round  
Serial #: 0001-6000CO

Quarter                      Year  
(Third Quarter)              (1990)

**Dixie-Narco<sup>®</sup>** INC 

Dixie-Narco Boulevard, Drawer 719, Williston, SC 29853  
Phone (800) 688-9090 or (803) 266-5000; Fax (803) 266-5150

Eastlake, OH              Williston, SC              London, England

## Table of Contents

This parts book is divided into 14 sections:

1. Main Door Exterior
2. Main Door Interior
3. Pull-Out Handle and Coin Insert
4. Select Panel
5. Lighting
6. Wiring Harnesses
7. Inner Door
8. Two-Bar Linkage / Nut Retainer Housing / Hinges / Rollers
9. Cabinet Interior
10. Cabinet and Vend Mechanism
11. Refrigeration
12. Signs and Decals
13. Screws, Bolts, and Miscellaneous Hardware
14. MPC / SII Components

Each of these sections contains illustrations and a corresponding parts list for the following venders.

### Can Display

180, 180 SII, 360, 368, 368 MPC, 368 SII, 368 AVI SII, 501, 501 MPC, 501 SII, 501 AVI SII

### Cold Drink FLS

180, 180 SII, 276, 276 SII, 300, 300 SII, 348 SII, 360, 360 SII, 368, 368 SII, 440, 440 SII, 501, 501 SII, 600, 600 SII

### Dr. Pepper (D3)

180, 276, 276 VRV, 276 VRV SII, 348, 348 VRV, 348 VRV SII, 368, 368 MPC, 368 VRV, 368 VRV SII, 414, 414 VRV, 414 VRV SII, 440, 440 MPC, 440 VRV, 440 VRV SII, 501, 501 VRV, 501 VRV SII, 522 VRV, 522 VRV SII, 600, 600 VRV, 600 VRV SII

### Generic Round

348, 348 SII, 360, 360 SII, 368, 368 MPC, 368 SII, 414, 432, 440, 440 SII, 501, 501 MPC, 501 SII, 600, 600 SII

### 7UP (B7)

276, 276 VRV, 276 VRV SII, 348, 348 VRV, 348 VRV SII, 360, 368, 368 MPC, 368 VRV, 368 VRV SII, 414, 414 SII, 414 VRV, 414 VRV SII, 432, 440, 440 MPC, 440 VRV, 440 VRV SII, 501, 501 VRV, 600, 600 VRV, 600 VRV SII

### Veryfine Circular (0001-3194CO to 0001-6169AS)

360, 368, 368 MPC, 368 SII, 501, 501 MPC, 501 SII

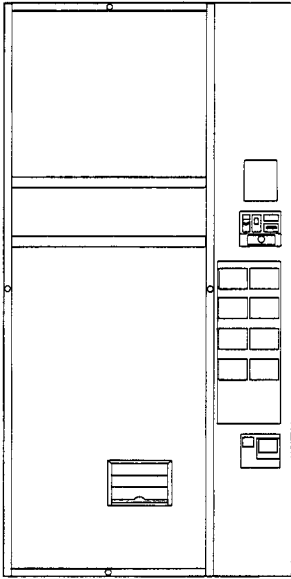
### Veryfine / RC Inverted "L" Circular

414 RC, 414 RC SII, 440 RC, 440 RC SII  
368 VF SII, 501 VF SII, 522 VF SII

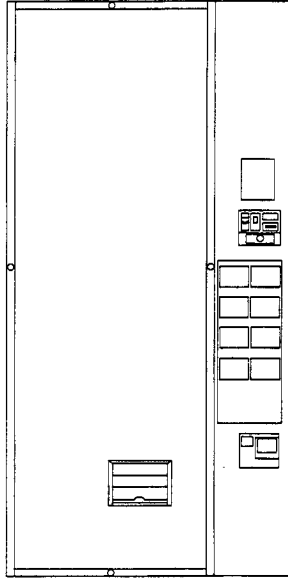
### Part number for Generic Worldwide Parts Book

803,902,280.01

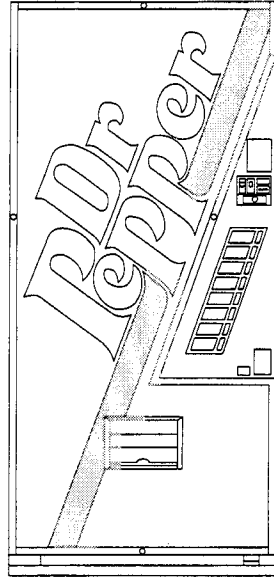
Can Display, Cold Drink FLS, Dr Pepper (D3), Generic Round, 7Up (B7), Veryfine Circular(0001-3194CO to 0001-6169AS), Veryfine/RC Inverted "L" Circular



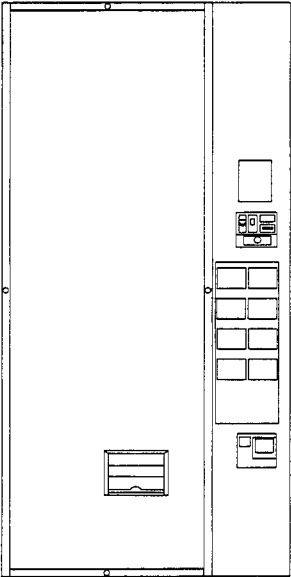
Can Display



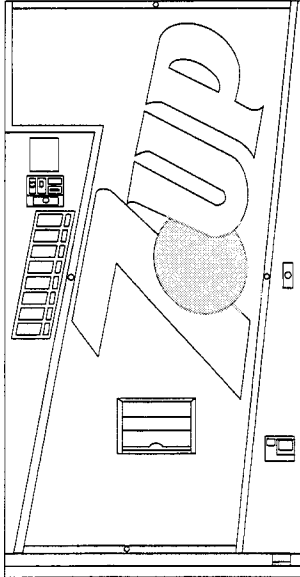
Cold Drink FLS



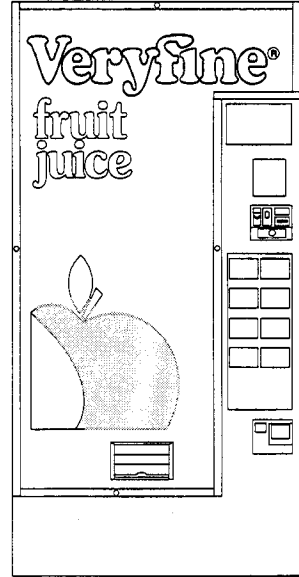
Dr Pepper (D3)



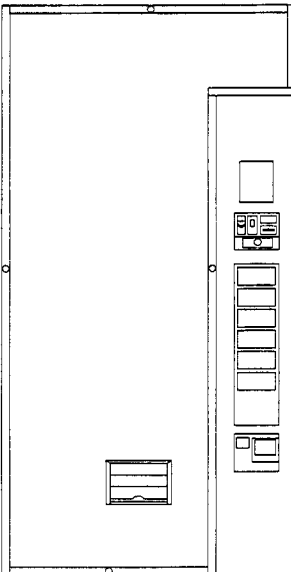
Generic Round



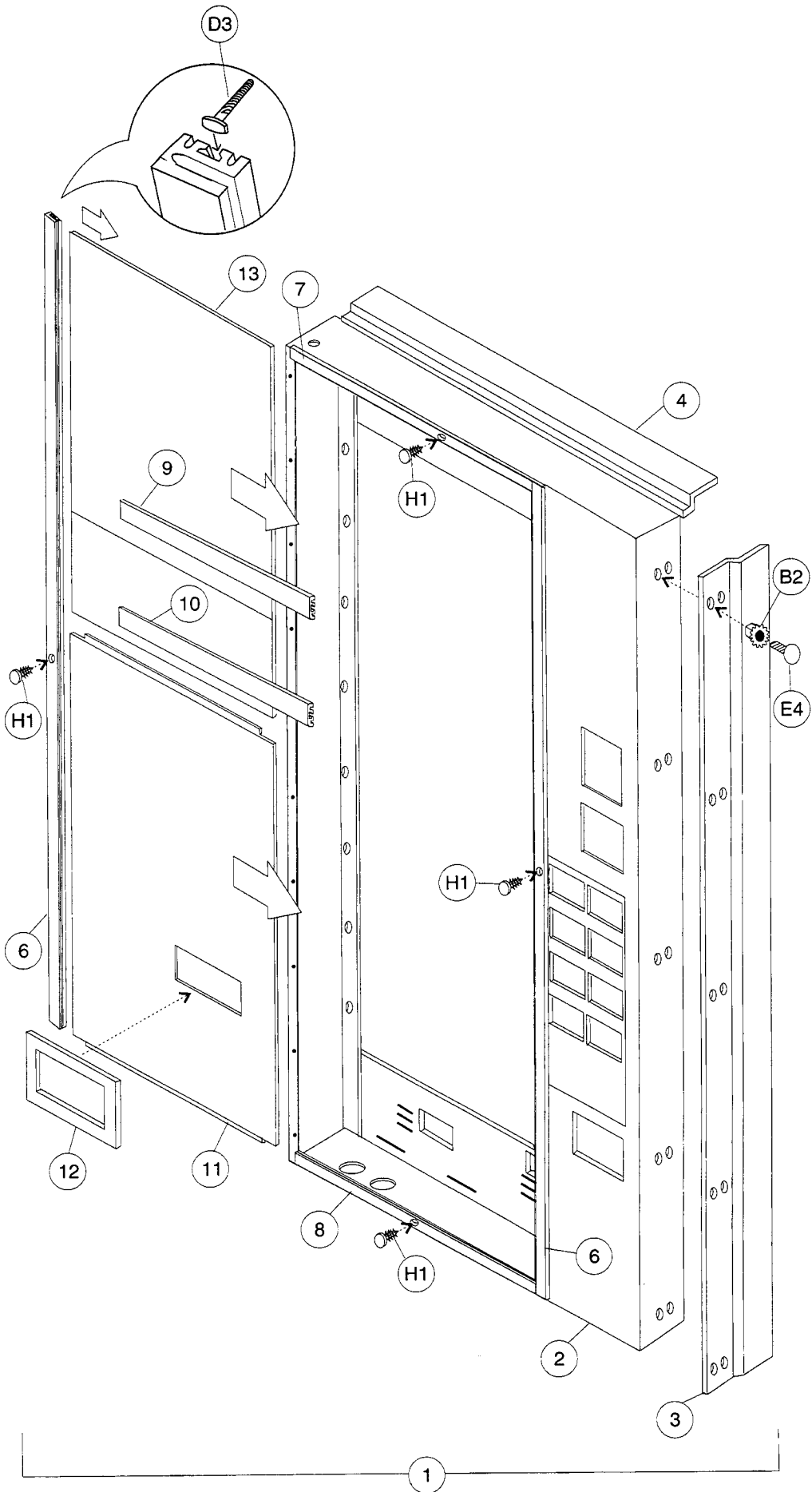
7Up (B7)



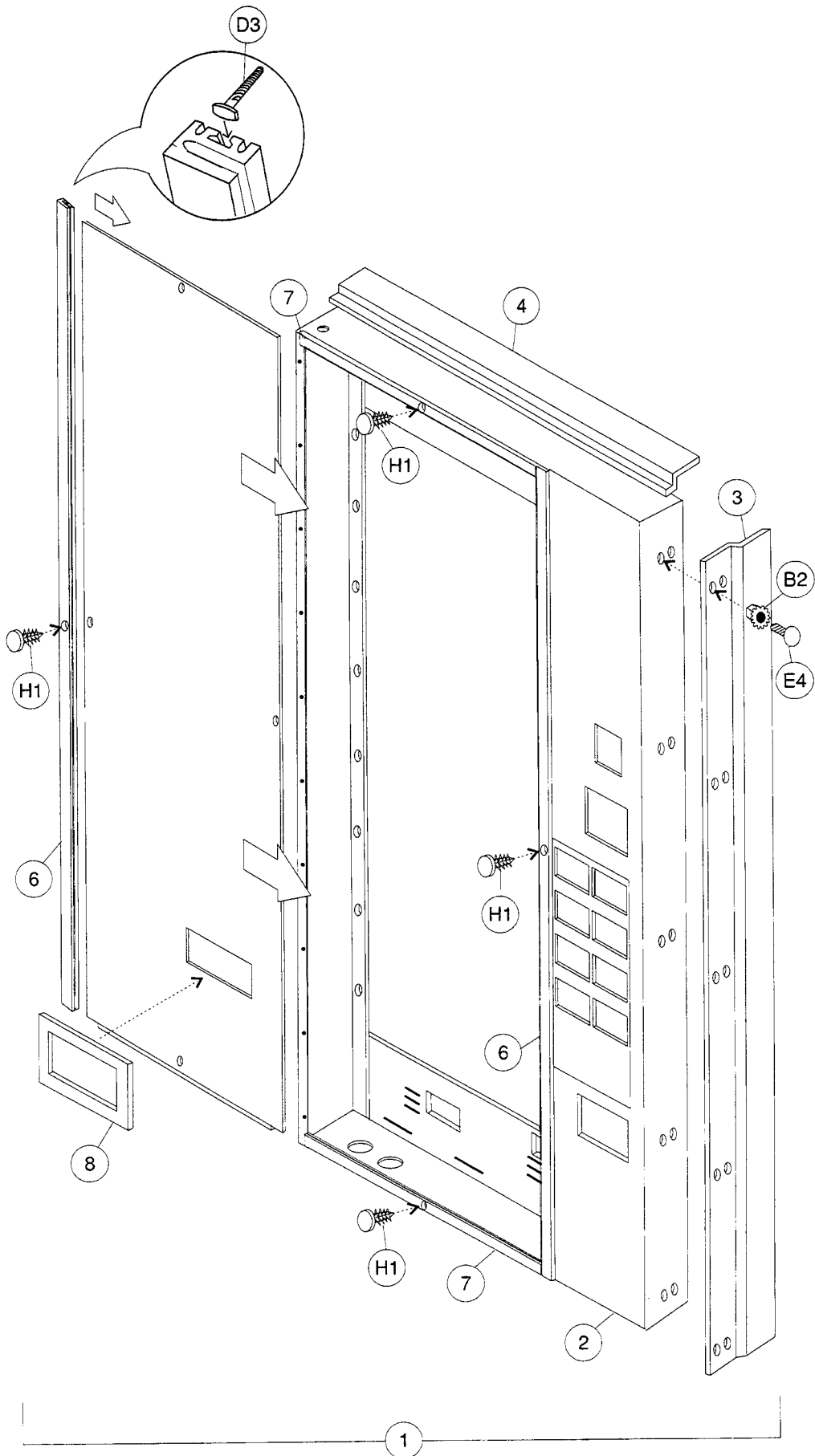
Veryfine Circular  
(0001-3194CO  
to 0001-6169AS)



Veryfine/RC Inverted "L" Circular





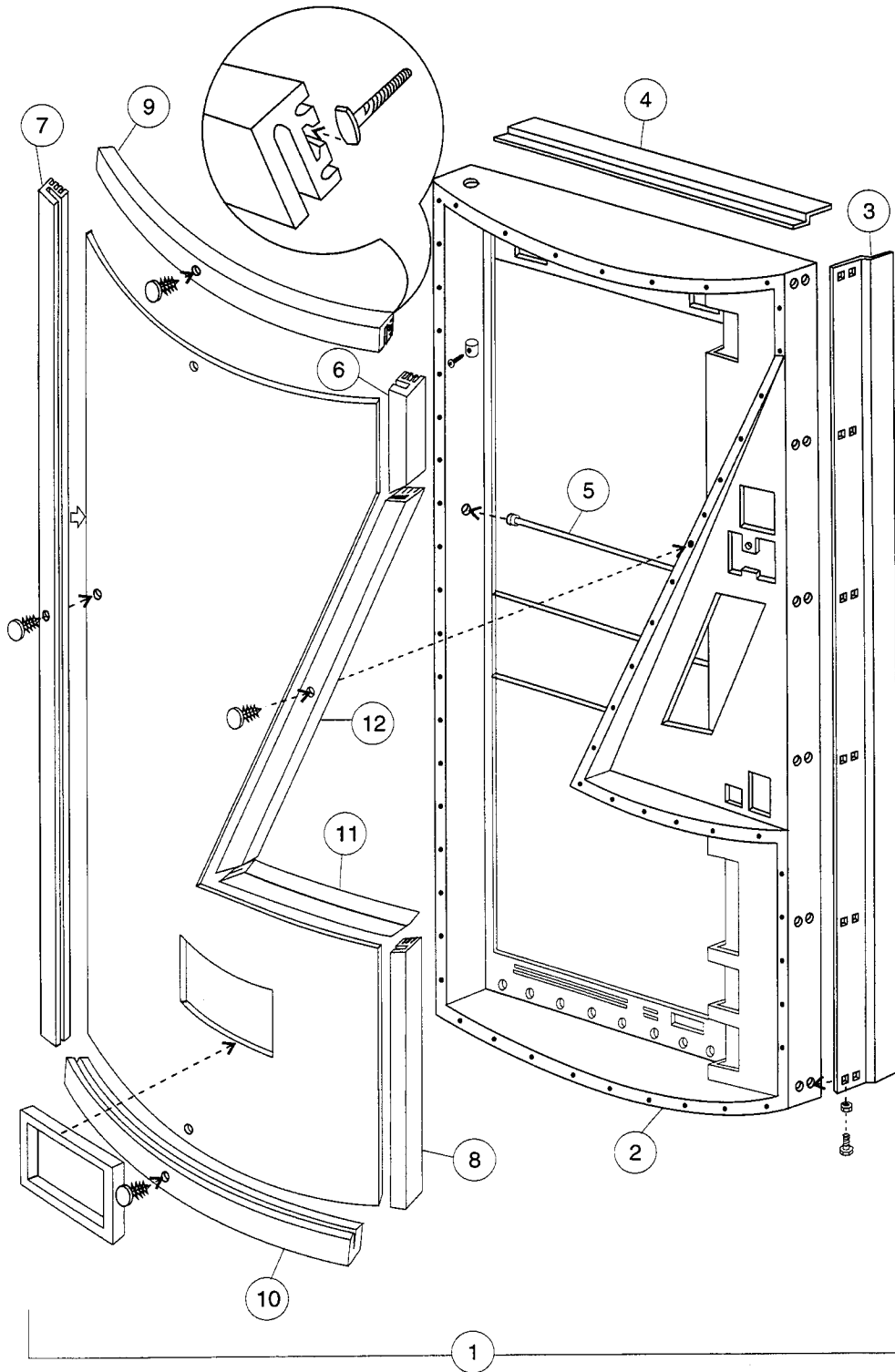






# Main Door Exterior

## Dr Pepper (D3)



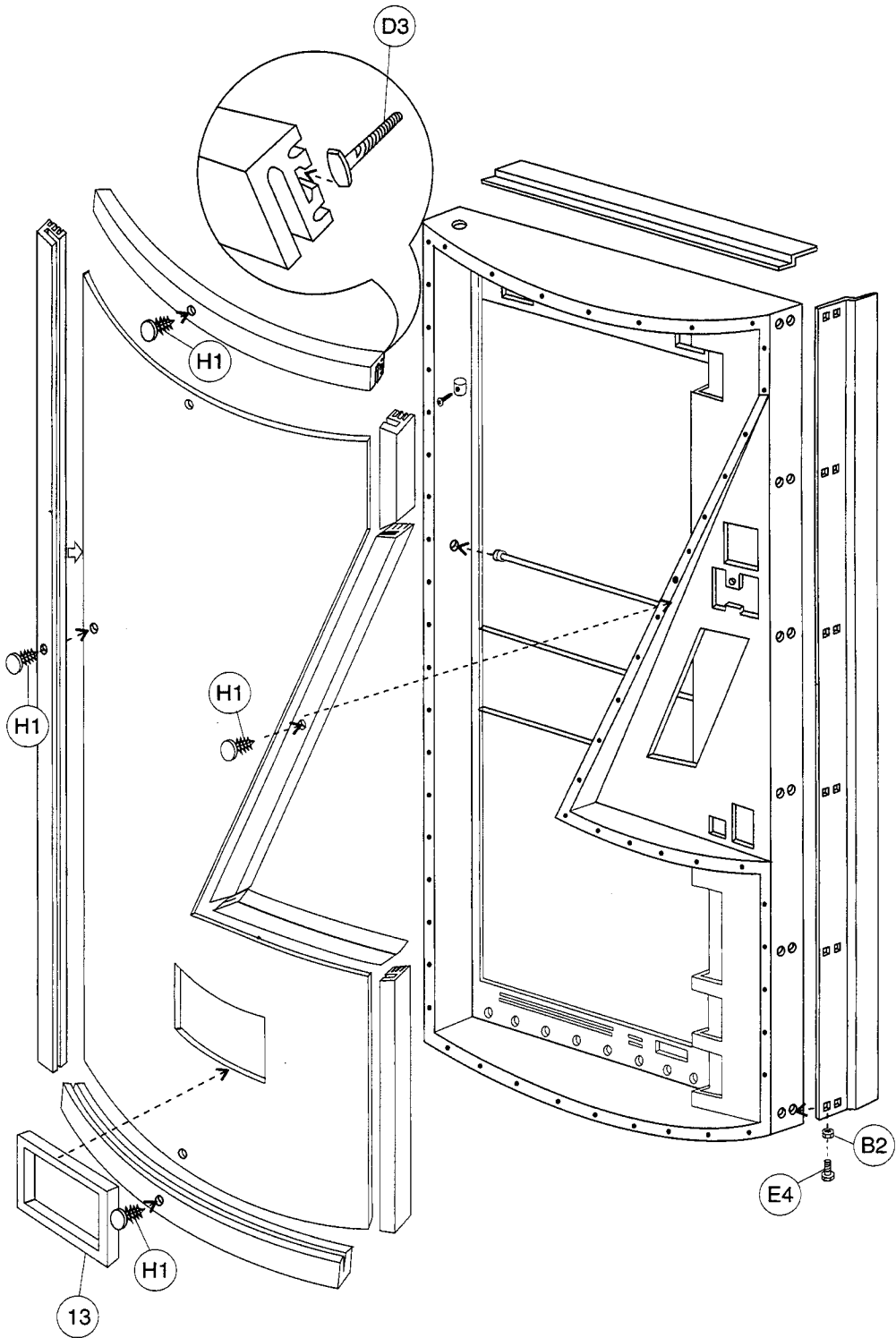
## Dr Pepper (D3)

Item	Part Number	Part Name And Description By Model Number
1		Main Door Assembly (Specify Graphics & Harness)
	586,150,000.03	522 VRV (6 Select)
	586,150,300.03	522 VRV SII (6 Select)
	453,150,000.03	440/600 (8 Select)
	453,150,200.03	440/600 VRV (8 Select)
	453,150,300.03	440/600 VRV SII (8 Select)
	453,051,000.03	440 MPC (8 Select)
	461,150,000.03	414 (10 Select)
	461,150,900.03	414 VRV (10 Select)
	461,150,200.03	414 VRV SII (10 Select)
	454,150,000.03	368/501 (8 Select)
	454,150,200.03	368/501 VRV (8 Select)
	454,150,500.03	368/501 VRV SII (8 Select)
	454,050,300.03	368 MPC (8 Select)
	540,150,000.03	348 (10 Select)
	540,150,200.03	348 VRV (10 Select)
	540,150,400.03	348 VRV SII (10 Select)
	2	
586,150,100.03		522 VRV (6 Select)
453,050,100.33		440/600 (8 Select)
453,150,400.03		440/600 VRV & VRV SII (8 Select)
453,051,100.03		440 MPC (8 Select)
461,050,100.03		414 (10 Select)
461,150,300.03		414 VRV & VRV SII (10 Select)
454,050,100.03		368/501 (8 Select)
454,150,300.03		368/501 VRV & VRV SII (8 Select)
454,050,400.03		368 MPC (8 Select)
540,150,100.03		348 (10 Select)
540,150,300.03		348 VRV & VRV SII (10 Select)
456,050,100.13		276 (6 Select)
456,150,500.03		276 VRV & VRV SII (6 Select)
459,050,100.03	180 (5 Select)	
3		Protective Plate Door
	164,150,331.63	414/440/600
	165,150,331.33	276/348/368/501/522
	168,150,331.63	180
4		Rain Guard
	164,151,142.33	348/368/414/440/501/522/600
	169,050,342.23	180/276
5		Tie Rod
	900,502,510.41	348/368/440/501/522/600
6		Vertical Trim 20 degree Right Side Top
	801,805,620.51	7 1/2" (190.5mm) - 414/440/600
	Not Applicable	180/276/348/368/501/522
7		Vertical Trim Left Side
	801,805,470.21	76 7/16" (1941.51mm) - 414/440/600
	801,805,470.21	68 15/16" (1751.01mm) - 276/348/368/501/522
	801,805,470.21	53 9/16" (1368.49mm) - 180
8		Vertical Trim 20 degree Right Side Bottom
	801,805,620.51	24 3/8" (619.13mm) - 180/276/348/368/414/440/501/522/600
9		Horizontal Trim Top
	801,805,470.21	34 7/16" (874.71mm) - 348/368/414/440/501/522/600
	801,805,470.21	19 3/4" (501.65mm) - 180/276
10		Horizontal Trim Bottom
	801,805,470.21	34 3/8" (873.13mm) - 348/360/414/440/501/522/600
	801,805,470.21	25 9/16" (649.29mm) - 180/276
11		Select Panel Trim Bottom
	801,805,470.21	18 1/16" (458.79mm) - 180/276/348/368/414/440/501/522/600
12		Select Panel Trim Left
	801,805,470.21	49 1/16" (1246.19mm) - 180/276/348/368/414/440/501/522/600

Continued next page

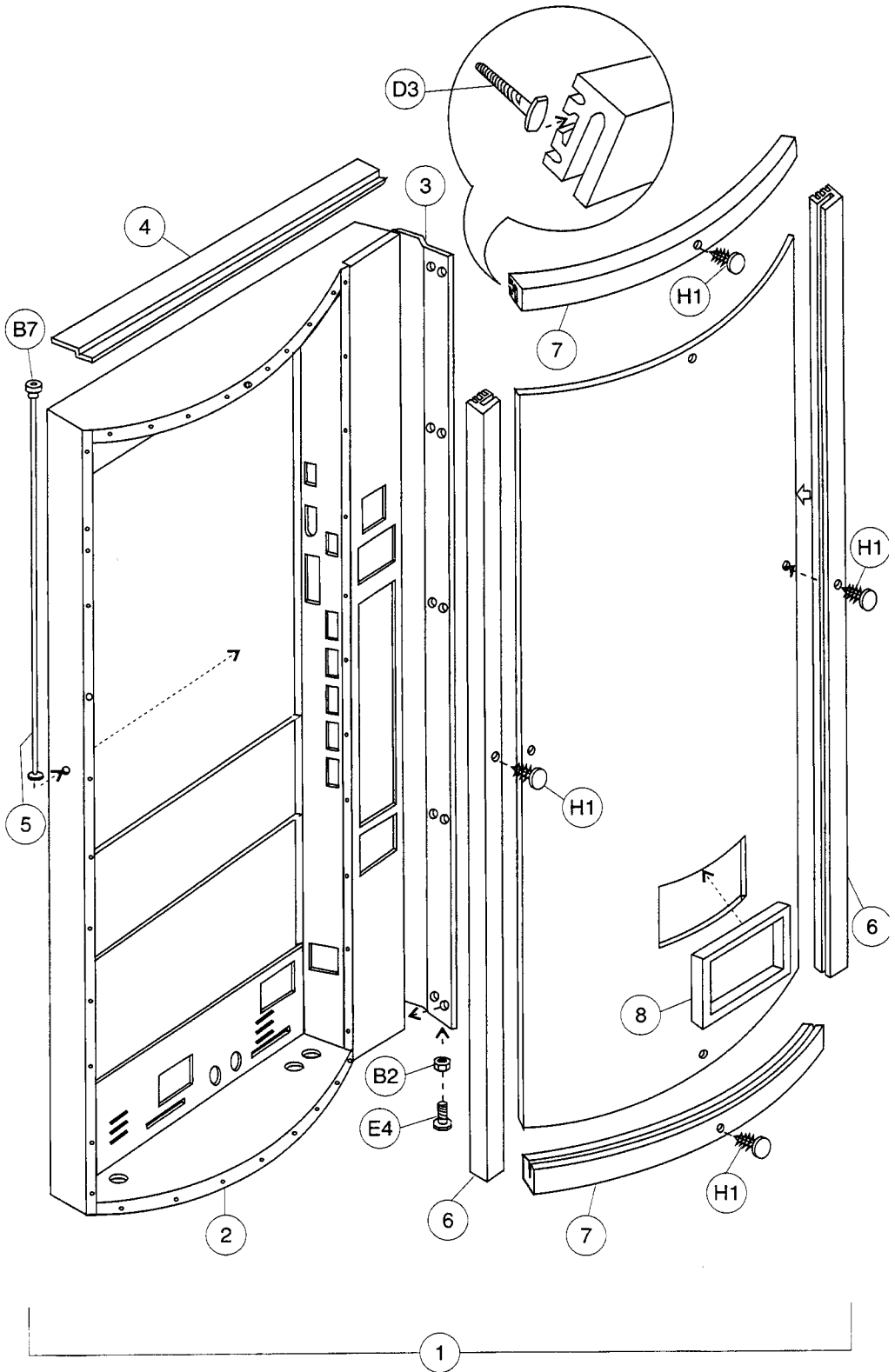
# Main Door Exterior

## Dr Pepper (D3)





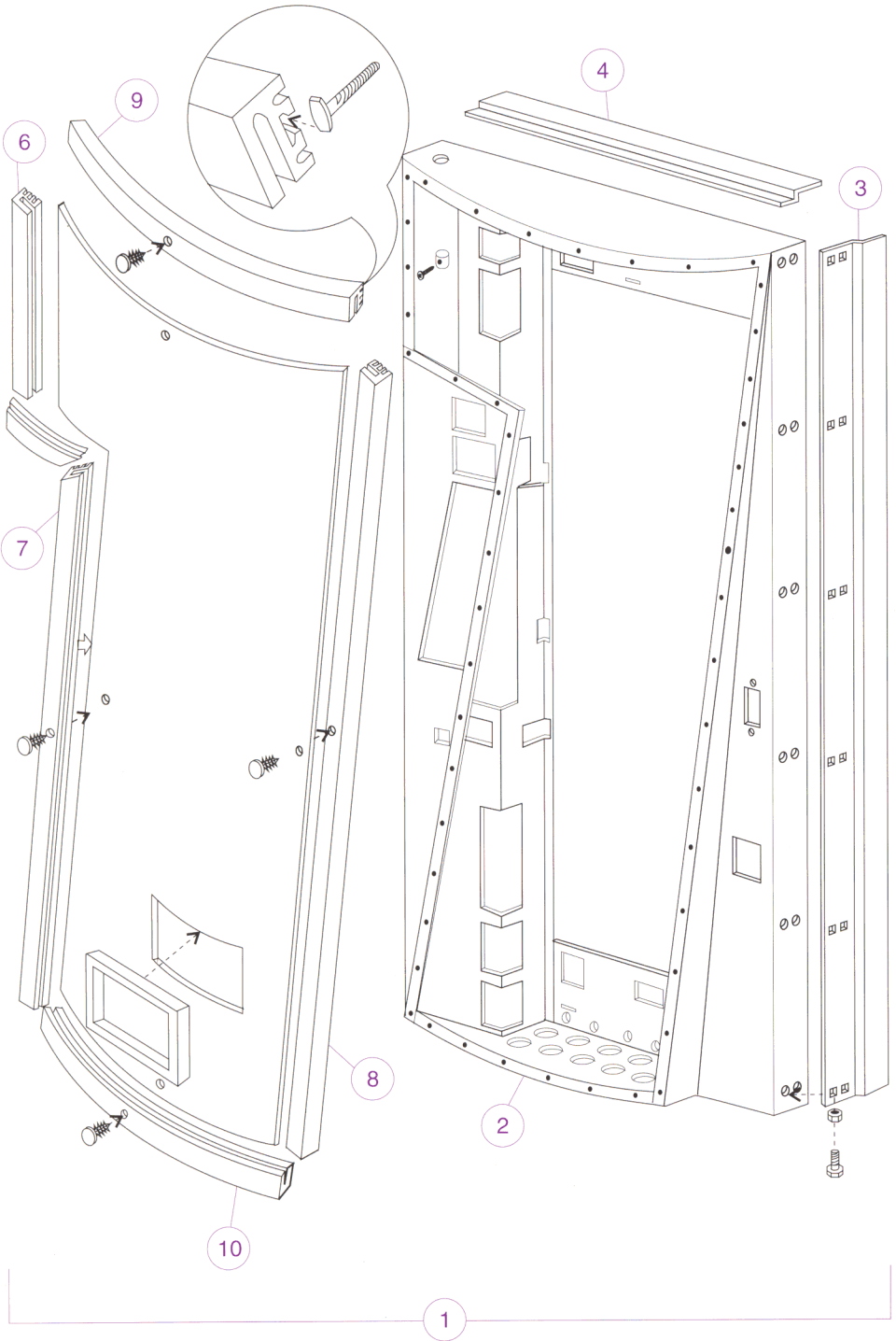
Generic Round





# Main Door Exterior

## 7Up (B7)



7Up (B7)

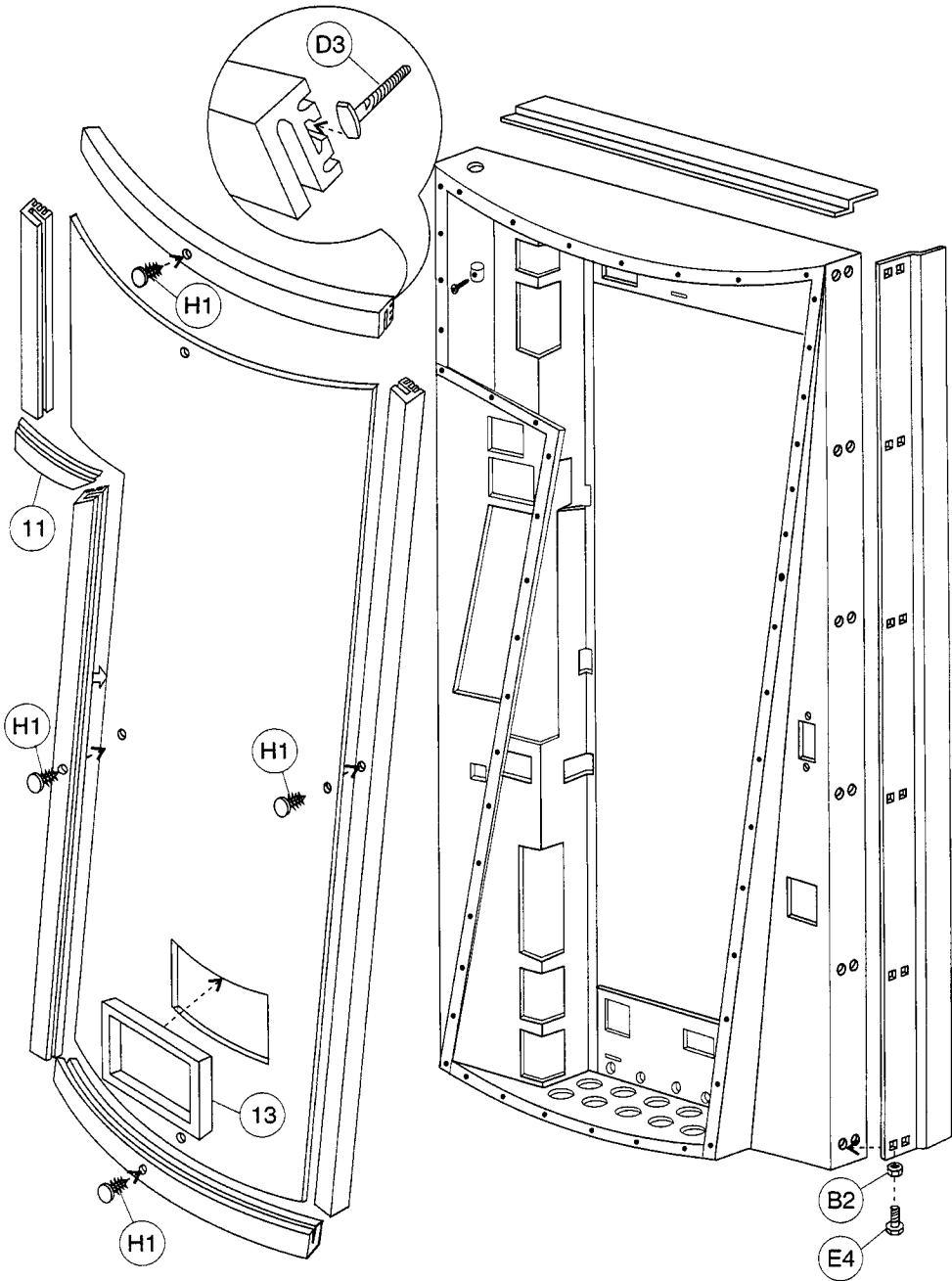
Item	Part Number	Part Name And Description By Model Number
1		Main Door Assembly (Specify Graphics & Harness)
	455,150,000.03	440/600 (8 Select)
	455,051,600.03	432 (6 Select)
	467,150,000.03	414 (10 Select)
	462,150,000.03	368/501 (8 Select)
	472,150,000.03	360 (6 Select)
	466,150,000.03	348 (10 Select)
	468,150,000.03	276 (6 Select)
	581,050,000.03	414 SII (10 Select)
	581,050,300.03	368 SII (8 Select)
	564,050,200.03	440 MPC (8 Select)
	563,050,100.03	368 MPC (8 Select)
	581,052,000.03	440/600 (8 Select) VRV
	581,052,400.03	440/600 (8 Select) VRV SII
	462,050,500.03	368/501 (8 Select) VRV
	466,250,000.03	348 (10 Select) VRV
	466,250,300.03	348 (10 Select) VRV SII
	462,250,000.03	276 (6 Select) VRV
	468,150,050.03	276 (6 Select) VRV SII
	581,050,600.03	414 (10 Select) VRV
581,050,700.03	414 (10 Select) VRV SII	
462,050,900.03	368 (8 Select) VRV SII	
2		Main Door Weld Assembly
	455,150,100.33	440/600 (8 Select)
	455,051,500.03	432 (6 Select)
	467,150,100.03	414 (10 Select)
	462,150,100.03	368/501 (8 Select)
	472,150,100.03	360 (6 Select)
	466,150,100.03	348 (10 Select)
	468,150,100.03	276 (6 Select)
	467,150,100.03	414 SII (10 Select)
	462,150,100.03	368 SII (8 Select)
	564,050,100.03	440 MPC (8 Select)
	563,050,200.03	368 MPC (8 Select)
	462,050,600.03	368 (8 Select) VRV
	462,250,100.03	276 (6 Select) VRV
	581,050,800.03	414 (10 Select) VRV
	581,052,100.03	440/600 (8 Select) VRV
466,250,100.03	348 (10 Select) VRV	
3		Protective Plate Door
	164,150,331.63	414/432/440/600
	165,150,331.33	276/348/360/368/501
4		Rain Guard
	164,151,142.33	348/360/368/414/432/440/501/600
	169,050,342.23	276
5		Tie Rod
	900,502,510.41	348/360/368/414/432/440/501/600
6		Vertical Trim 20 degree Left Side Top
	801,805,620.51	19 1/4" (488.95mm) - 414/432/440/600
	801,805,620.51	15 9/16" (395.29mm) - 276/348/360/368/501
7		Vertical Trim Left Side Bottom
	801,805,470.41	59 9/16" (1512.89mm) - 414/432/440/600
	801,805,470.41	55 3/4" (1416.05mm) - 276/348/360/368/501
8		Vertical Trim Right Side
	801,805,470.41	76 15/16" (1954.21mm) - 414/432/440/600
	801,805,470.41	69 7/16" (1763.71mm) - 276/348/360/368/501
9		Horizontal Trim Top
	801,805,470.41	34 1/4" (869.95mm) - 348/360/368/414/432/440/501/600
	801,805,470.41	25" (635mm) - 276
10		Horizontal Trim Bottom
	801,805,470.41	26 1/4" (666.75mm) - 348/360/368/414/432/440/501/600
	801,805,470.41	17" (431.8mm) - 276

Continued next page



# Main Door Exterior

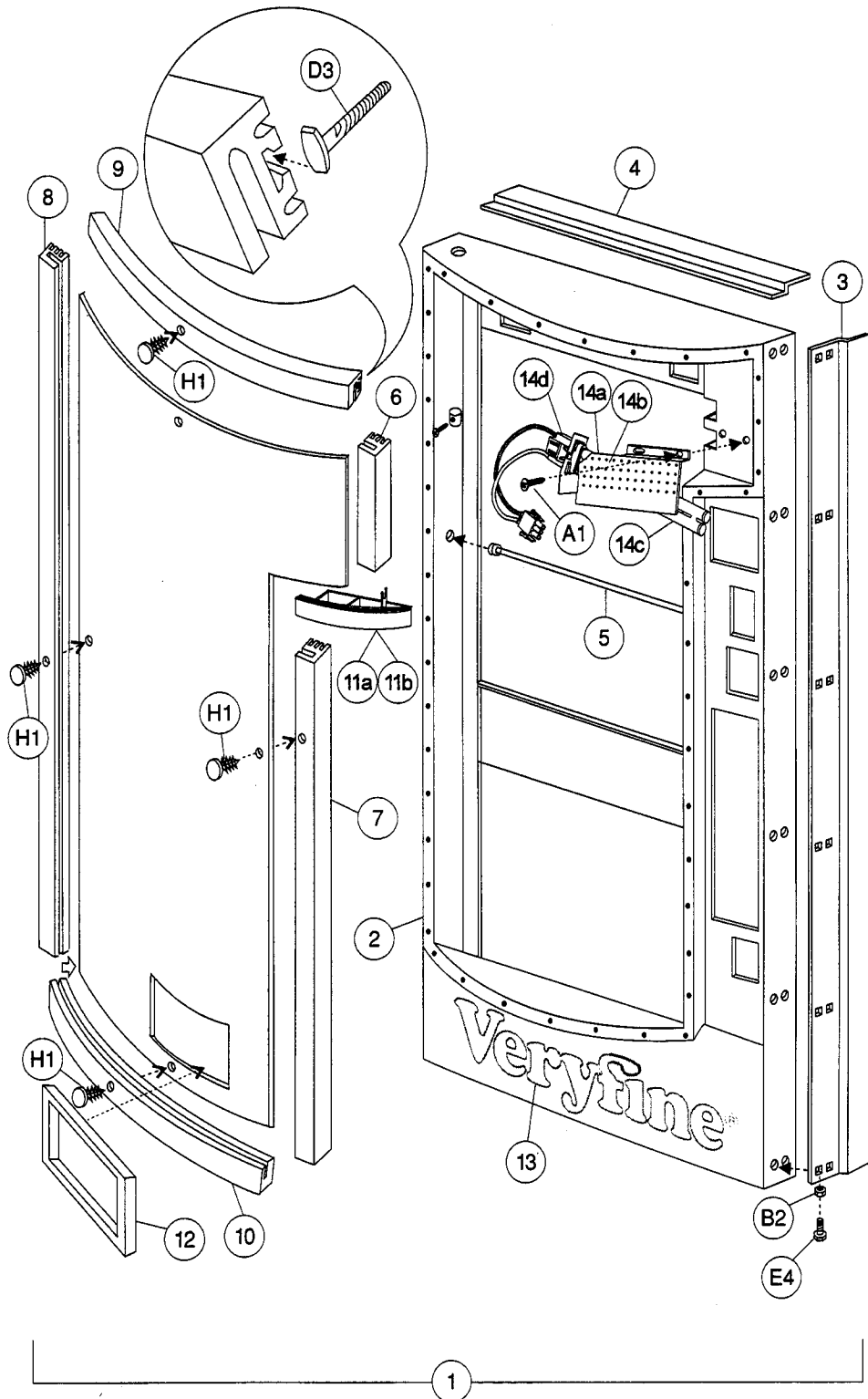
## 7Up (B7)





# Main Door Exterior

Veryfine Circular (0001-3194C0 to 0001-6169AS)

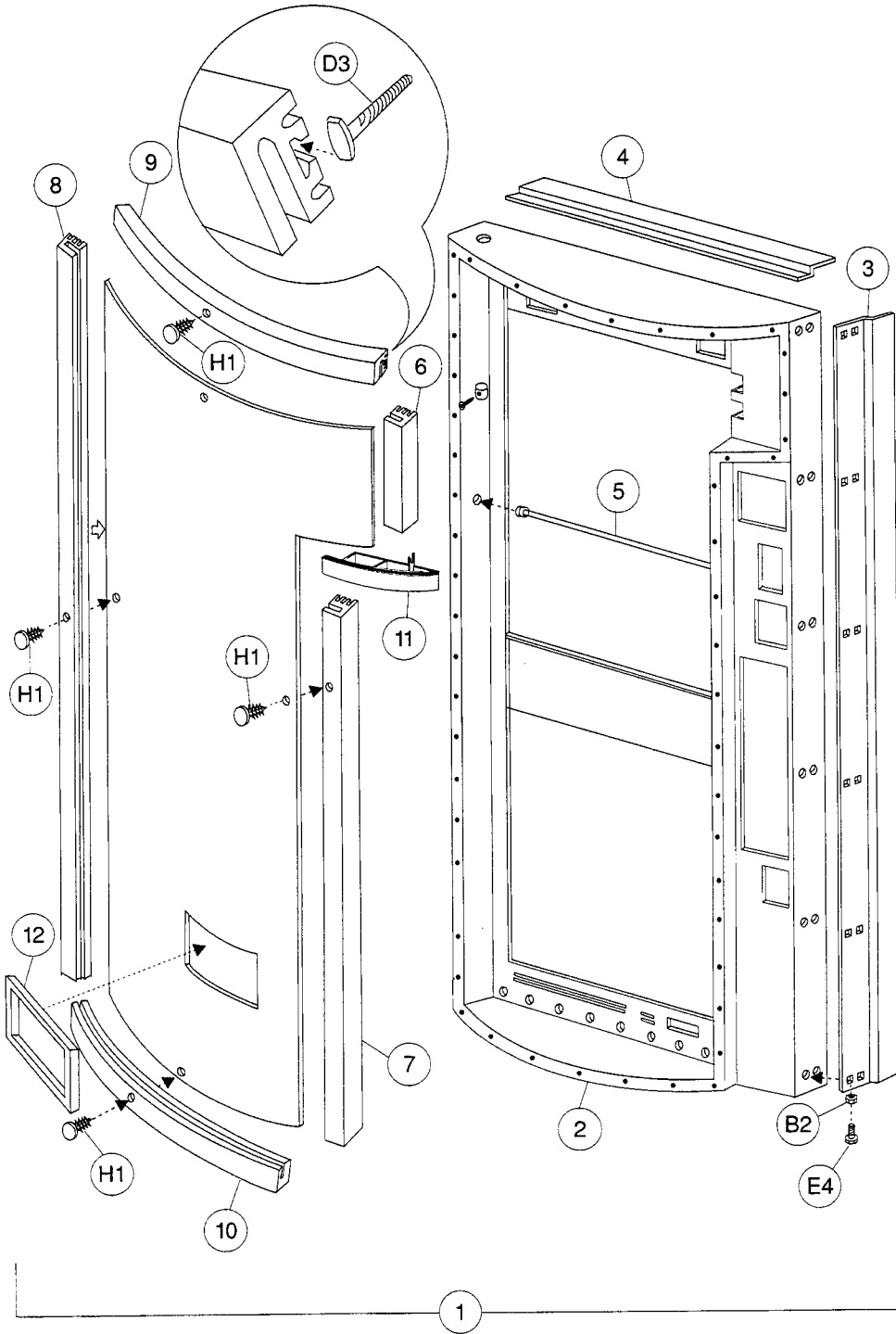


Veryfine Circular (0001-3194CO to 0001-6169AS)

Item	Part Number	Part Name And Description By Model Number
1		Main Door Assembly (Specify Graphics & Harness)
	515,050,700.03	368/501 (8 Select)
	558,050,100.03	368/501 MPC (8 Select)
	583,050,000.03	368/501 SII (8 Select)
	580,050,200.03	360 (6 Select)
2		Main Door Weld Assembly
	515,050,100.13	368/501 SII & Non SII (8 Select)
	558,050,000.43	368/501 MPC (8 Select)
	515,050,100.43	360 (6 Select)
3		Protective Plate Door
	165,150,331.33	All Models
4		Rain Guard
	164,151,142.33	All Models
5		Tie Rod
	900,502,510.41	All Models
6		Vertical Trim Right Side Top
	801,805,620.01	9 3/8" (238.125mm) - All Models
7		Vertical Trim Right Side Bottom
	801,805,470.21	47 3/4" (1212.85mm) - All Models
8		Vertical Trim Left Side
	801,805,470.21	58 3/16" (1477.9625mm) - All Models
9		Horizontal Trim Top
	801,805,470.21	34 3/8" (873.125mm) - All Models
10		Horizontal Trim Bottom
	801,805,470.21	26 7/16" (671.5125mm) - All Models
11a		Enclosure Vault
	801,806,730.01	All Models
11b		Lens, Control Panel Enclosure
	801,806,740.01	All Models
12		Delivery Port Trim - (Black)
	801,602,860.31	All Models
13		Embossment Plate, Veryfine
	805,700,460.01	All Models
14a		POS Light Socket Bracket
	515,050,030.03	All Models
14b		POS Light Shield
	515,050,110.03	All Models
14c		Fluorescent Phil 13/41
	804,700,460.01	All Models
14d		Leviton - Socket (26720-3)
	804,902,230.01	All Models
14e		POS Window Ballast Assembly
	804,905,390.01	All Models
A1	900,301,700.11	Screw, Phil Pan Swage Form #6 - 32 x 3/8"
B2	900,800,670.01	Keps Nut, 1/4 - 20
B3	900,800,500.01	Keps Nut, #8 - 32
B7	900,800,510.01	Elastic Stop Nut, #8 - 32
D2	900,400,410.01	T-Bolt #8 - 32 x 1 3/8"
D3	900,400,350.41	T-Bolt #8 - 32 x 3/4"
E4	900,201,450.01	Carriage Bolt, 1/4 - 20 x 1/2 "
H1	900,902,130.01	Christmas Tree Clip, #354280307-00

Main Door Exterior

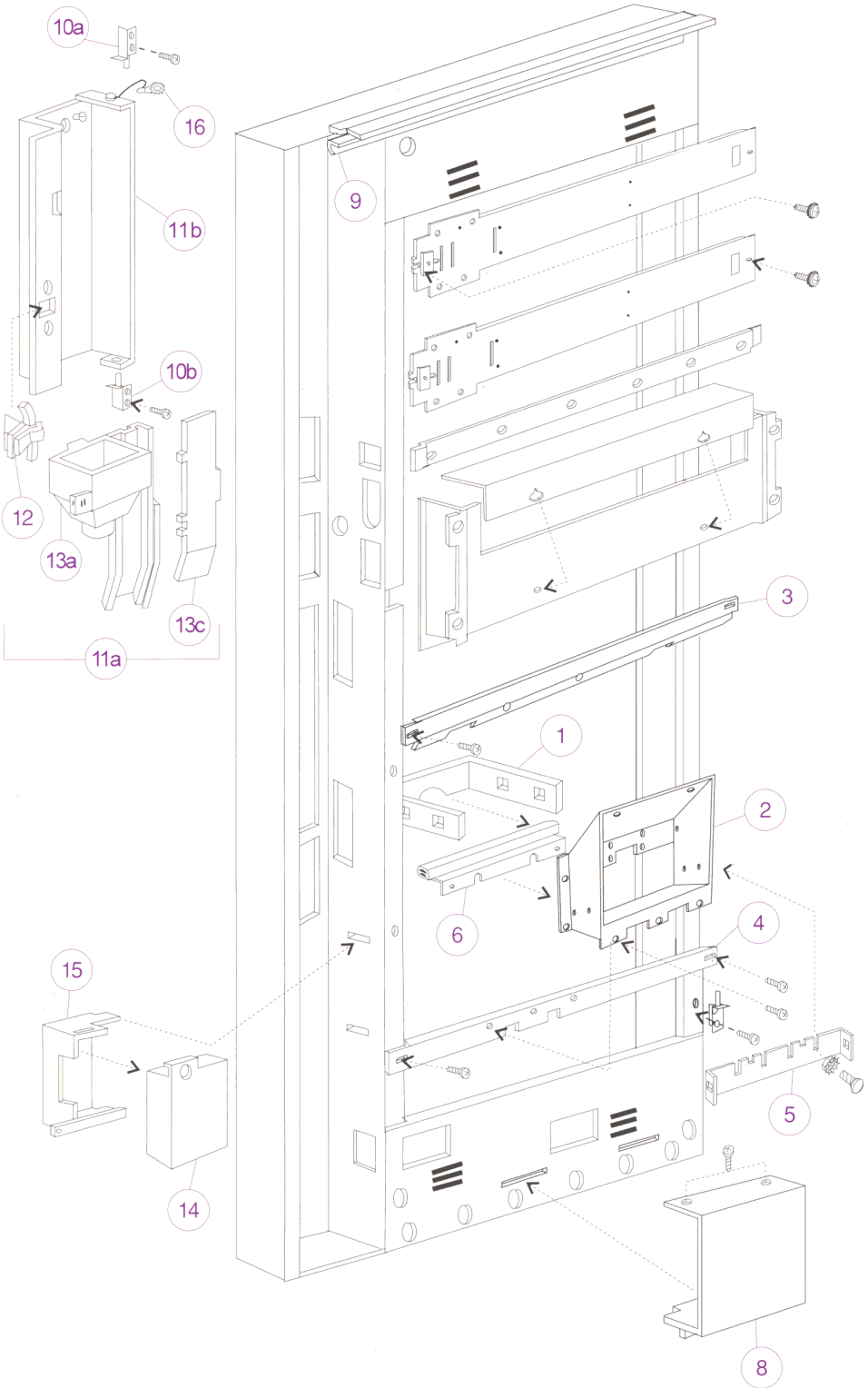
Veryfine/RC Inverted "L" Circular



Veryfine/RC Inverted "L" Circular

Table with columns: Item, Part Number, Part Name And Description By Model Number. Includes items 1 through 12 and B2 through H1 with various part numbers and descriptions.

Can Display



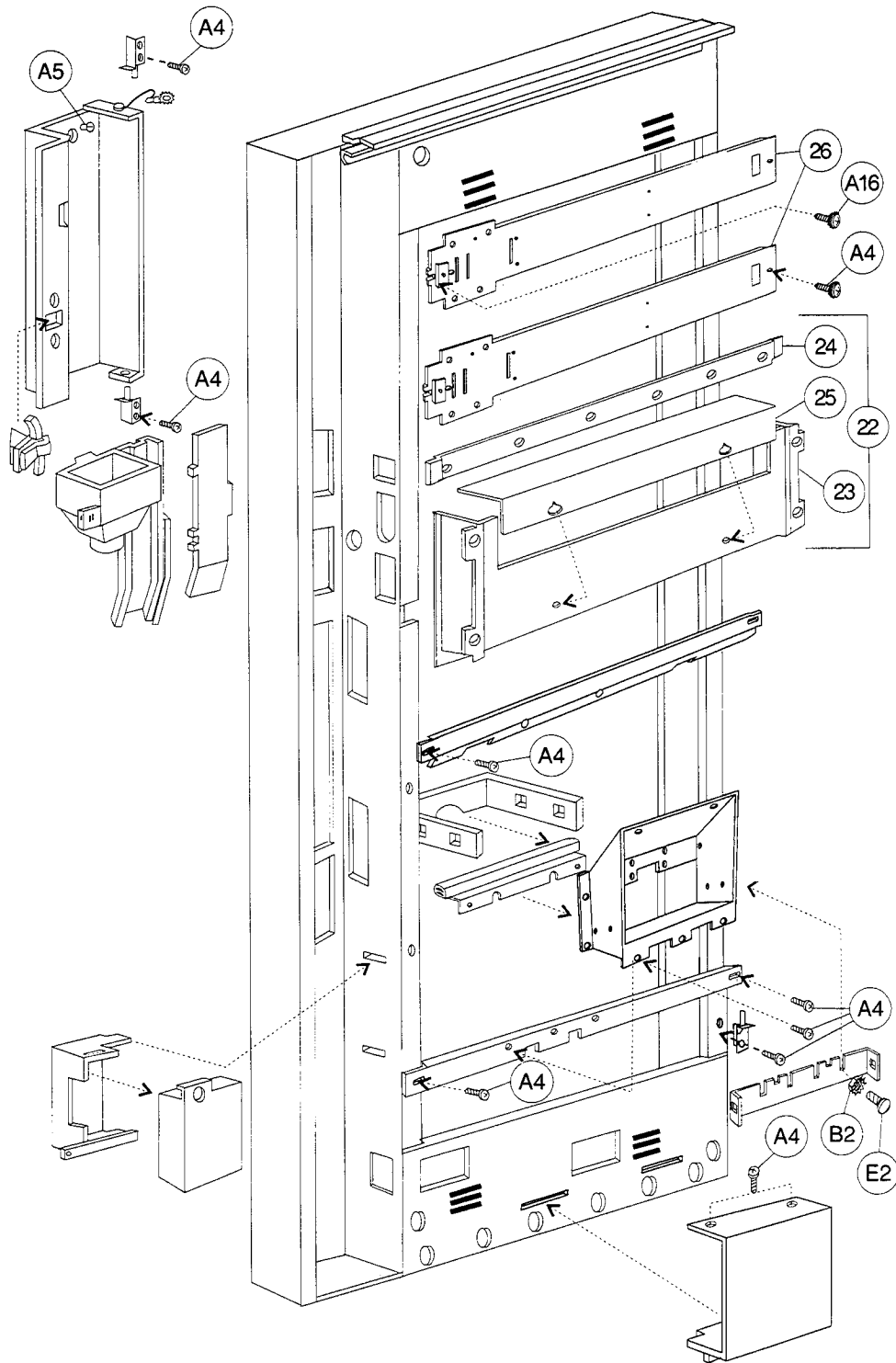
## Can Display

Item	Part Number	Part Name And Description By Model Number
1		Discharge Member
	478,050,150.03	360/368/501
	267,050,470.03	180
2		Delivery Port
	801,806,810.01	360/368/501
	801,806,960.01	180
3		Door Stiffener
	453,150,010.23	360/368/501
	478,050,110.43	MPC 360/368/501
	275,050,090.83	180
4		Delivery Port Bottom Stiffener
	490,050,020.23	360/368/501
	478,050,110.33	180/360/368/501
5		Closure Strip
	478,050,160.23	360/368/501
	172,050,031.33	180
6		Bumper Assembly
	172,050,300.83	All Models
7		1" Clamp, Heyco 3390
	901,901,890.01	All Models
8		Cover, Wire Plug
	432,050,660.03	All Models
9		"L" Profile Gasket
	903,600,530.01	360/368/501
	903,600,540.01	180
10a		Weld Assembly Top Access Door Hinge
	432,051,000.03	360/368/501
	267,051,500.13	180
10b		Weld Assembly Bottom Access Door Hinge
	432,051,101.63	360/368/501
11a		Access Door Assembly
	491,050,600.03	360/368/501
	543,050,200.03	180
11b		Access Door
	432,150,030.53	360/368/501
	269,050,040.53	180
12		Access Door Latch
	901,902,130.11	360/368/501
	267,050,170.13	180
13a		Hopper & Chute
	801,806,580.51	360/368/501
	801,804,300.21	180
13b		Coin Chute (not shown)
	267,050,920.13	180
13c		Coin Chute Front/Back
	801,806,590.11	Coin Chute Front - 360/368/501
	267,050,570.13	Coin Chute Back - 180
14		Cash Box
	432,051,800.13	360/368/501
	267,052,600.23	180
15		Cash Box Shelf
	432,050,181.53	360/368/501
16		Ground Wire, 4" (102mm)
	804,902,610.11	All Models
17		Door Strap
	572,050,130.43	SII 180/360/368/501
	523,050,110.13	MPC 360/368/501
	453,050,140.03	NON SII & NON MPC 360/368/501
18		Changer Guard Assembly
	269,050,300.03	180
19		Bracket, 15 Pin Cinch Jones Plug
	524,050,140.23	SII 180/360/368/501
	562,050,010.03	MPC 360/368/501

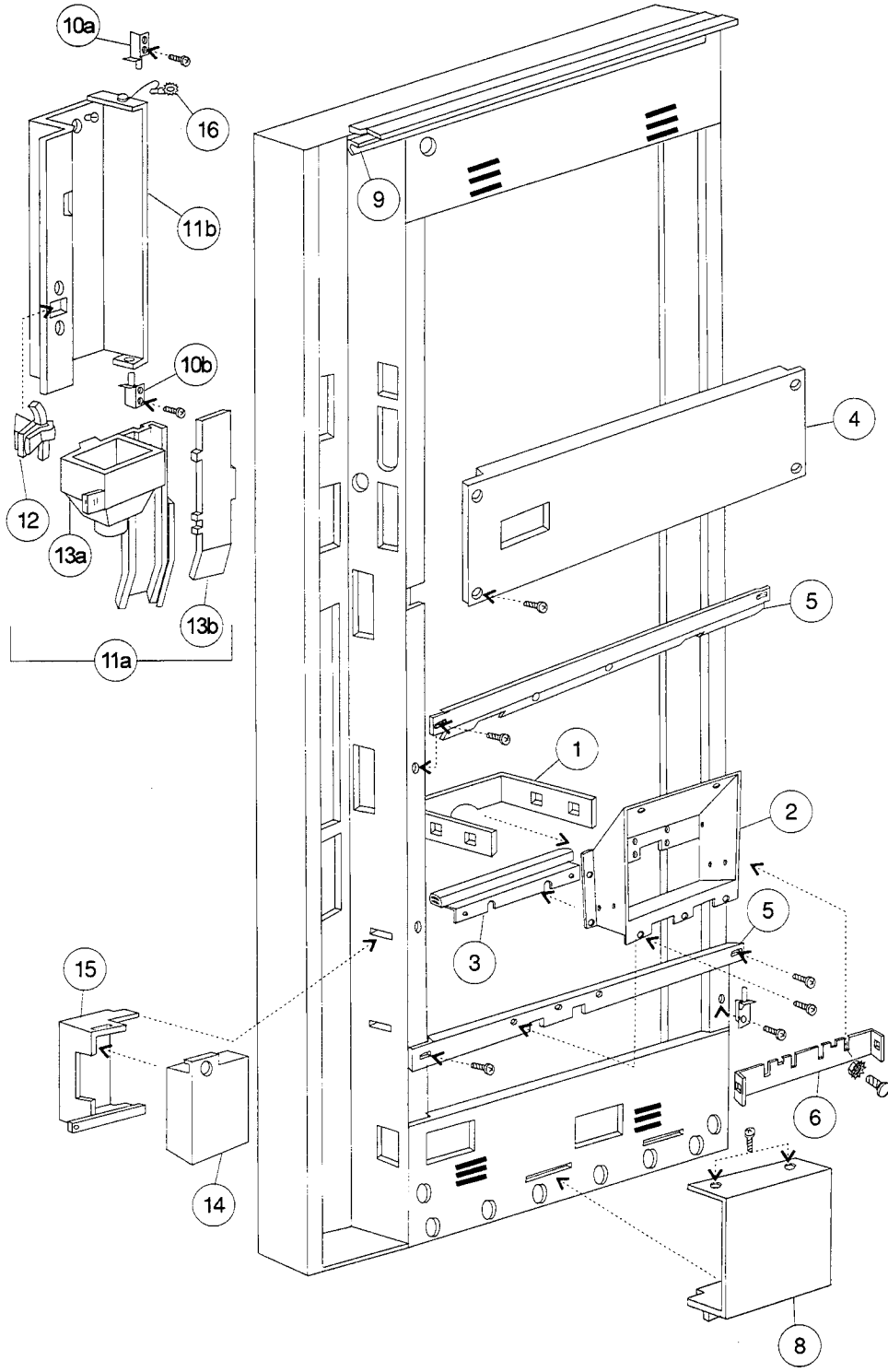
Continued next page



Can Display



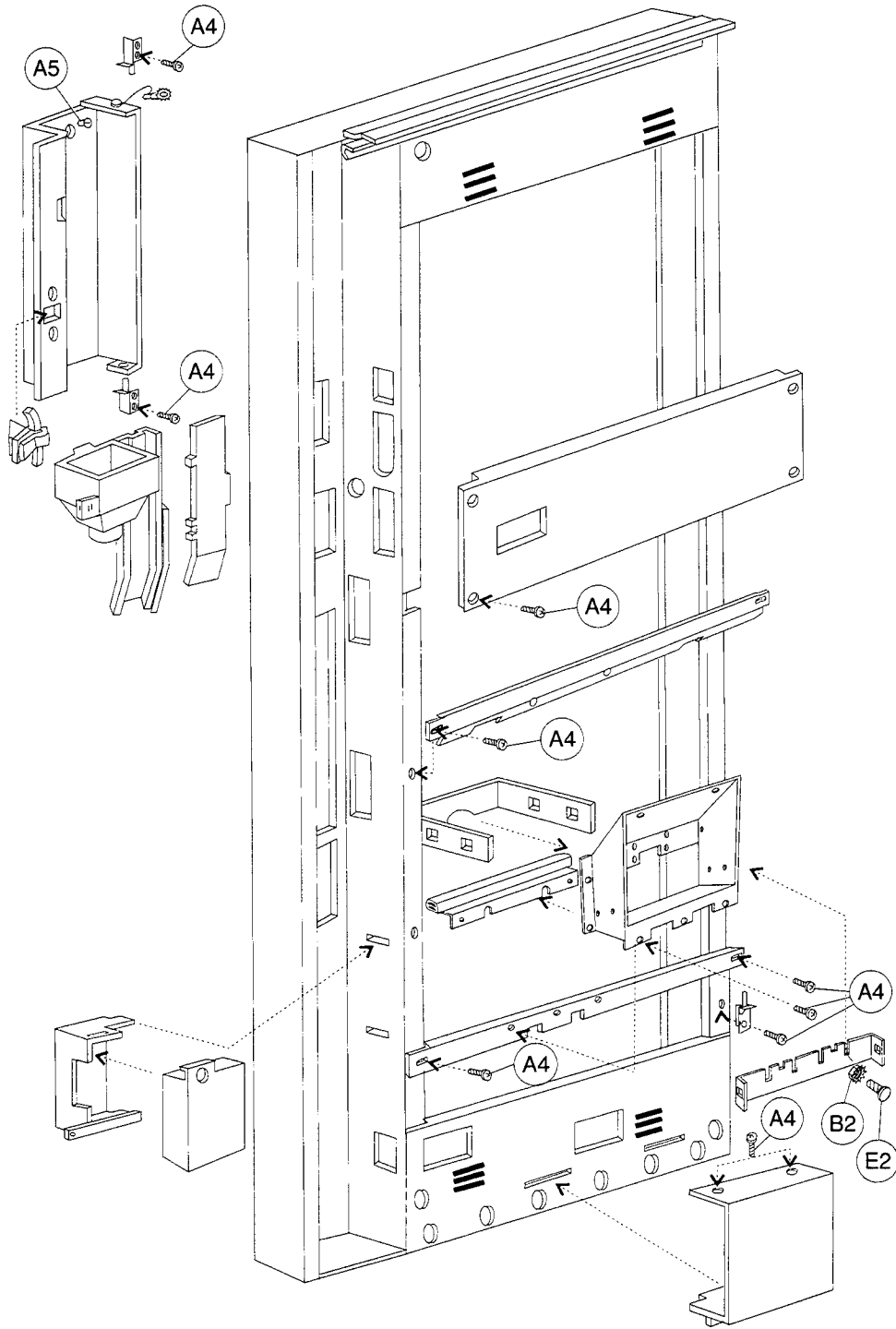




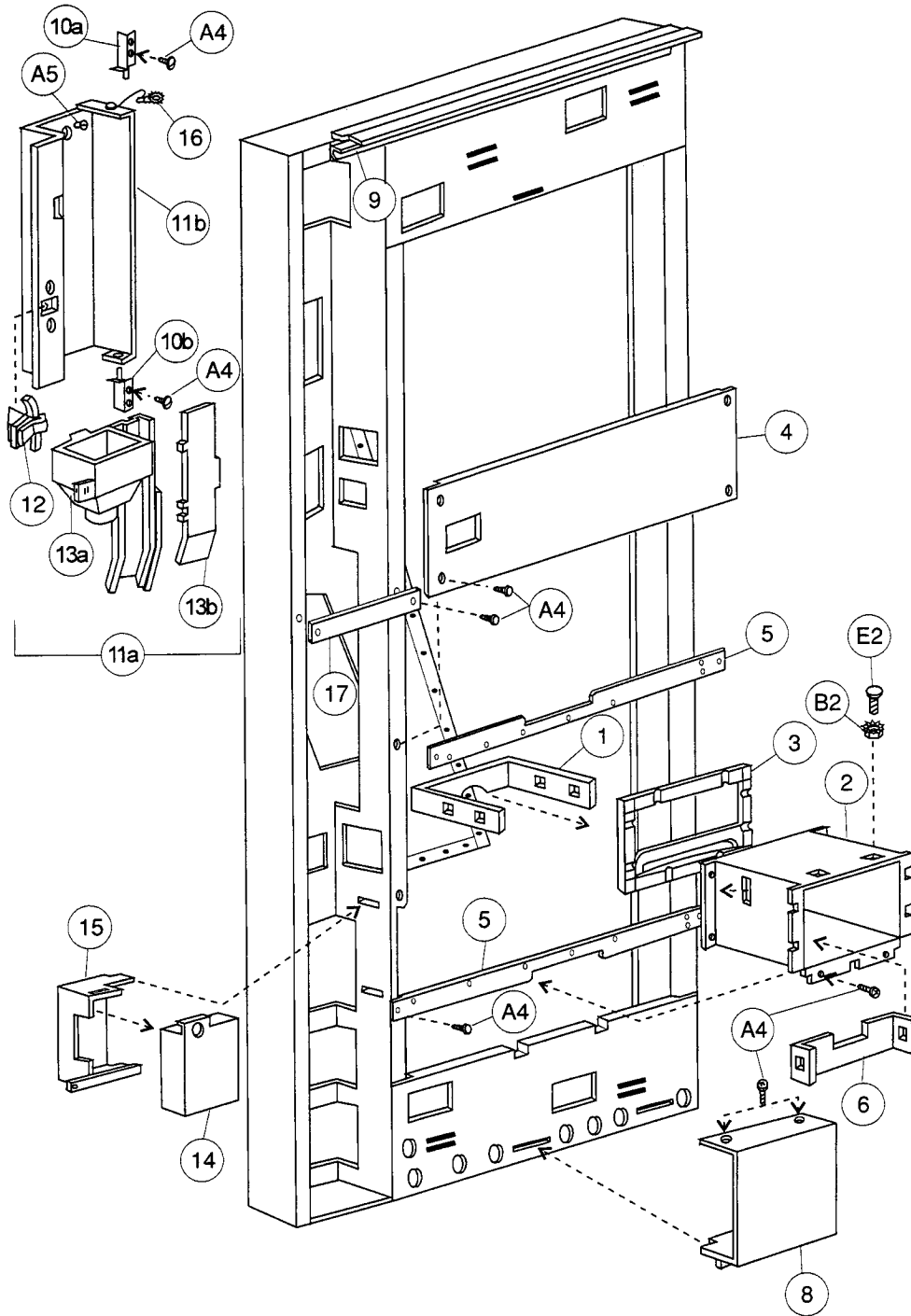
**Cold Drink FLS**

Item	Part Number	Part Name And Description By Model Number
1		Discharge Member
	478,050,150.03	348/360/368/440/501/600
	478,050,150.03	180/276/300
2		Delivery Port (Black)
	801,806,030.71	348/360/368/440/501/600
	801,806,810.01	180/276/300
3		Bumper Assembly
	172,050,300.83	All Models
4		Door Stiffener
	478,050,110.43	348/360/368/501/600 NON MPC & NON SII
	453,150,010.23	348/360/368/440/501/600 VRV SII
	456,050,060.13	180/276/300 NON SII & NON MPC
	394,050,020.73	276 VRV SII
5		Delivery Port Stiffener
	480,050,060.13	Top 348/360/368/440/501/600
	435,050,030.33	Top Horizontal Stiffener 180/276/300
	490,050,020.33	Bottom 348/360/368/440/501/600
	493,050,040.23	Port Stiffener 180/276/300
6		Closure Strip
	478,050,160.33	All Models
7		1" Clamp, Heyco 3390
	901,901,890.01	All Models
8		Cover Wire Plug
	432,050,660.03	All Models
9		"L" - Profile Gasket
	903,600,530.01	348/360/368/440/501/600
	903,600,540.01	180/276/300
10a		Top Access Door Hinge, weld assembly
	432,051,000.03	All Models
10b		Bottom Access Door Hinge, weld assembly
	432,051,101.63	276/300/348/360/368/440/501/600
	455,050,100.03	180
11a		Access Door Assembly
	491,050,600.03	All Models
11b		Access Door
	432,150,030.53	All Models
12		Latch
	901,902,130.11	All Models
13a		Hopper & Chute
	801,806,580.51	All Models
13b		Coin Chute, Front
	801,806,590.11	All Models
14		Cash Box
	432,051,800.13	276/300/348/360/368/440/501/600
	445,050,800.13	180
15		Cash Box Shelf
	432,050,181.53	276/300/348/360/368/440/501/600
	445,050,160.63	180
16		Ground Wire, 4" (102mm)
	804,902,610.11	All Models
17		Door Strap
	572,050,130.43	All Models - SII
	523,050,110.13	All Models - MPC
	453,050,140.03	All Models - NON SII & NON MPC
18		Crown Puller Cover Plate
	453,050,120.03	All Models

Continued next page







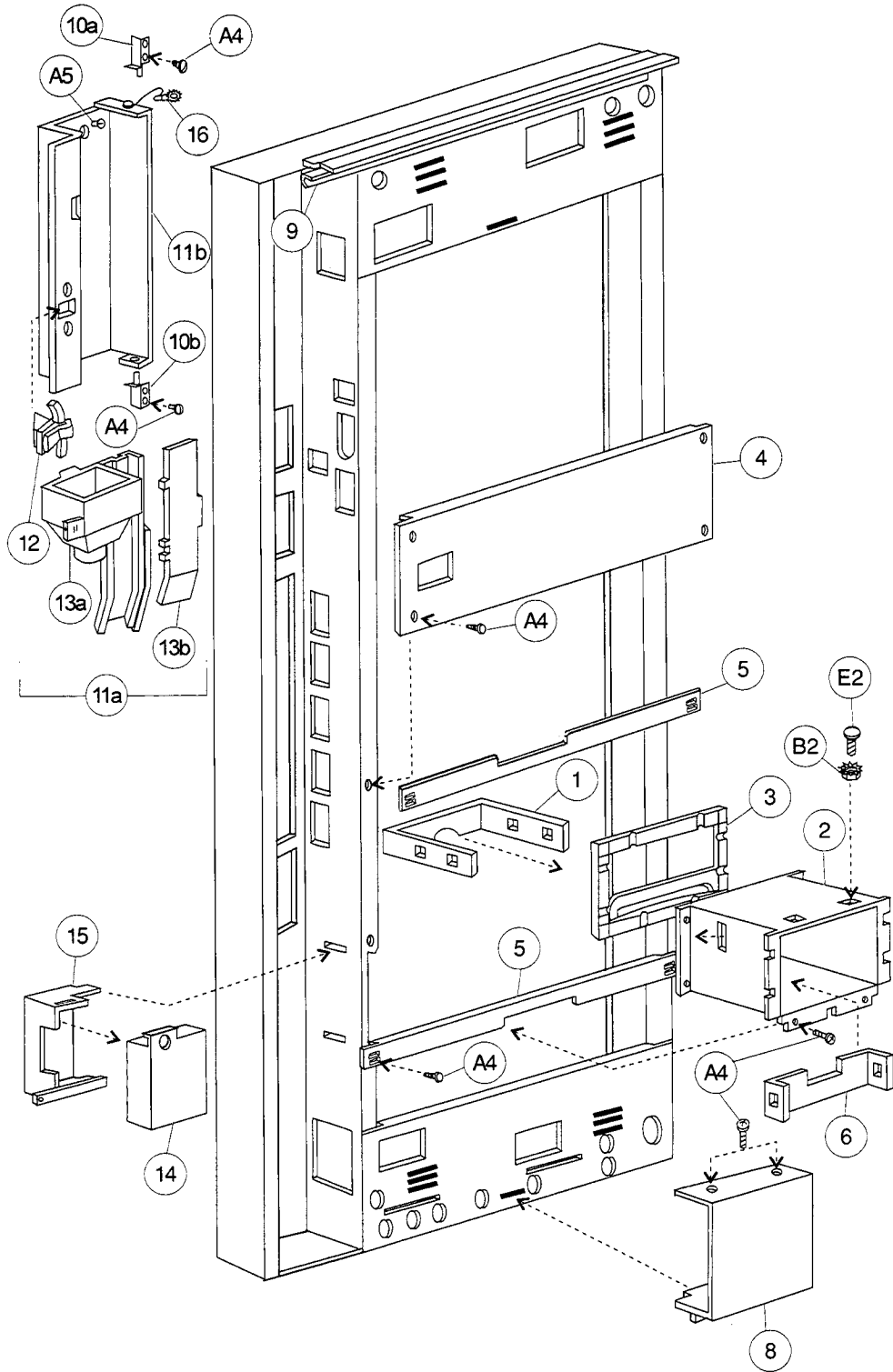
## Dr Pepper (D3)

Item	Part Number	Part Name And Description By Model Number
1		Discharge Member
	360,050,370.43	348/368/414/440/501/522/600
	435,050,110.03	180/276
2		Delivery Port (Black)
	801,806,030.71	348/368/414/440/501/522/600
	435,050,400.03	180/276
3		Port Spacer
	801,805,680.21	180/276
	801,805,670.41	348/368/414/440/501/522/600
4		Door Stiffener
	453,150,010.23	348/368/414/440/501/522/600 NON MPC & NON SII
	453,150,030.33	348/368/414/440/501/522/600 VRV SII
	456,050,060.13	180/276 NON SII & NON MPC
5		Delivery Port Stiffener
	480,050,060.13	600, 522, 501, 440, 414, 368, 348
		Top Horizontal Stiffener
	435,050,030.33	180/276
6		Closure Strip
	432,010,510.13	348/368/414/440/501/600
	399,050,150.43	180/276
7		1" Clamp, Heyco 3390
	901,901,890.01	All Models
8		Cover Wire Plug
	432,050,660.03	All Models
9		"L" Profile Gasket
	903,600,530.01	348/368/414/440/501/522/600
	903,600,540.01	180/276
10a		Top Access Door Hinge, weld assembly
	432,051,000.03	All Models
10b		Bottom Access Door Hinge, weld assembly
	432,051,101.63	All Models
11a		Access Door Assembly
	491,050,600.03	All Models
11b		Access Door
	432,150,030.53	All Models
12		Latch
	901,902,130.11	All Models
13a		Hopper & Chute
	801,806,580.51	All Models
13b		Coin Chute, Front
	801,806,590.11	All Models
14		Cash Box weld assembly
	432,051,800.13	All Models
15		Cash Box Shelf
	432,050,181.53	All Models
16		Ground Wire, 4" (102mm)
	804,902,610.11	All Models
17		Door Strap
	572,050,130.43	All Models SII
	523,050,110.13	All Models MPC
	453,050,140.03	All Models NON SII & NON MPC
18		Crown Puller Cover Plate
	453,050,120.03	All Models
A4	900,301,500.01	Screw, Phil Pan w/out Washer, #8 - 18 x 1/2"
A5	900,301,970.11	Screw, Phil Pan Swage Form, #8 - 32 x 1/4"
A9	900,301,560.11	Screw, Phil Pan Swage Form, #8 - 32 x 3/8"
A15	900,201,140.11	Screw, Machine Truss, #10 - 32 x 1/2"
A16	900,301,650.01	Screw, Phil Pan Sems w/washer, #8 - 18 x 1/2 "
B1	900,800,650.01	Keps Nut, #10 - 32
B2	900,800,670.01	Keps Nut, 1/4 - 20
B3	900,800,500.01	Keps Nut, #8 - 32
E2	900,201,170.01	Carriage Bolt, 1/4 - 20 x 1"



# Main Door Interior

## Generic Round

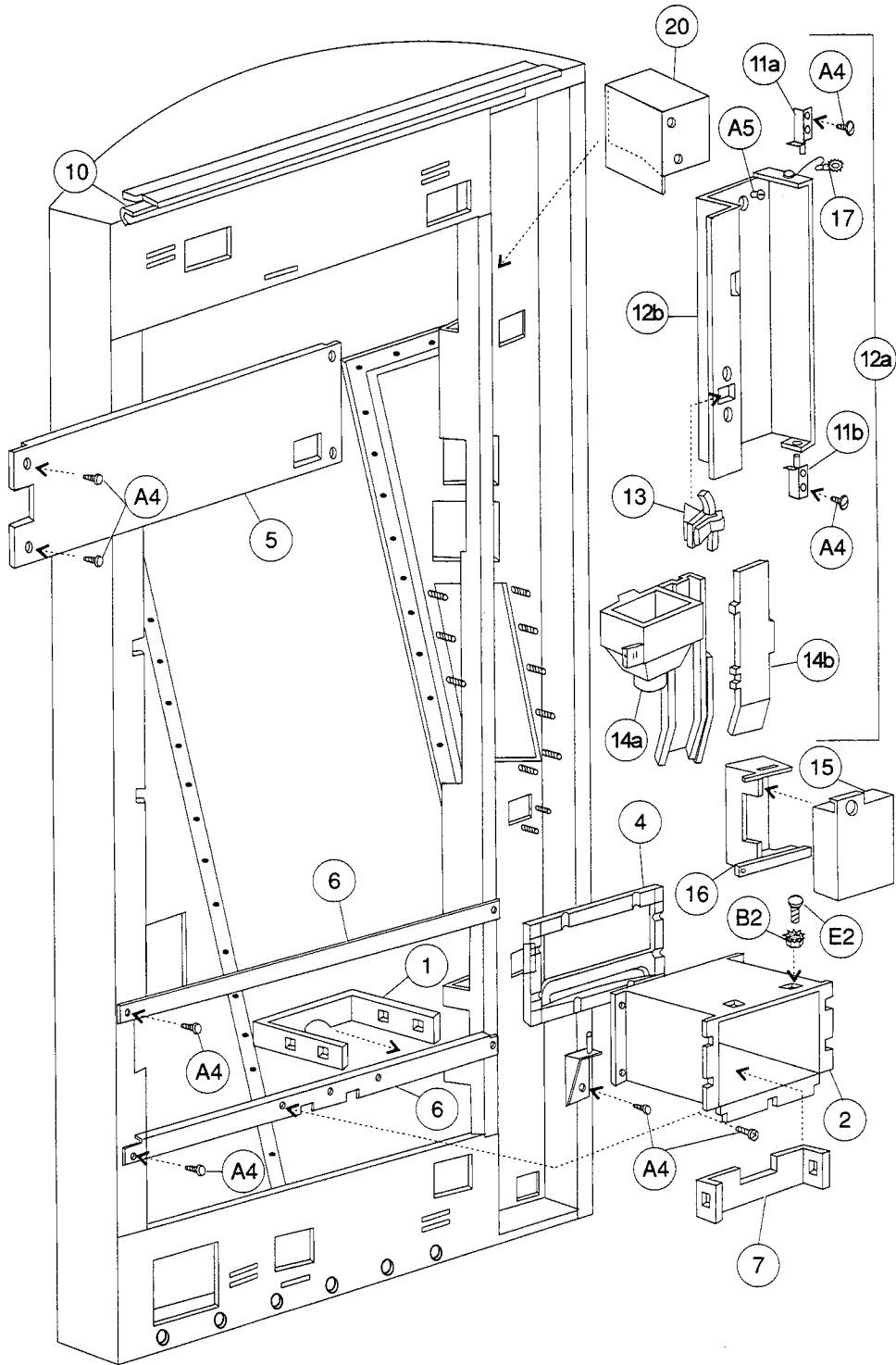


## Generic Round

Item	Part Number	Part Name And Description By Model Number
1		Discharge Member
	399,050,240.03	All Models
2		Delivery Port (Black Frame)
	801,806,030.71	All Models
3		Port Spacer
	801,805,500.31	All Models
4		Door Stiffener
	453,150,010.23	All Models NON MPC
5		Delivery Port Stiffener
	455,050,060.33	368/501 MPC
	480,050,060.13	All Models - NON MPC
6		Closure Strip
	432,010,510.13	All Models
7		1" Clamp, Heyco 3390 (Not Shown)
	901,901,890.01	All Models
8		Cover Wire Plug
	432,050,780.03	All Models
9		"L" - Profile Gasket
	903,600,530.01	All Models
10a		Top Access Door Hinge, weld assembly
	432,051,000.03	All Models
10b		Bottom Access Door Hinge, weld assembly
	432,051,101.63	All Models
11a		Access Door Assembly
	491,050,600.03	All Models
11b		Access Door
	432,150,030.53	All Models
12		Latch, Access Door
	901,902,130.11	All Models
13a		Coin Hopper & Chute
	801,806,580.51	All Models
13b		Coin Chute Front
	801,806,590.11	All Models
14		Cash Box
	432,051,800.13	All Models
15		Cash Box Shelf
	432,050,181.53	All Models
16		Ground Wire, 4" (102mm)
	804,902,610.11	All Models
17		Door Strap
	572,050,130.43	All Models SII
	523,050,110.13	All Models MPC
	453,050,140.03	All Models NON SII & NON MPC
A4	900,301,500.01	Screw, Phil Pan w/out Washer #8 - 18 x 1/2"
A5	900,301,970.11	Screw, Phil Pan Swage Form #8 - 32 x 1/4"
A9	900,301,560.11	Screw, Phil Pan Swage Form #8 - 32 x 3/8"
A15	900,201,140.11	Screw, Machine Truss #10 - 32 x 1/2"
A16	900,301,650.01	Screw, Phil Pan Sems w/washer #8 - 18 x 1/2"
B1	900,800,650.01	Keps Nut, #10 - 32
B2	900,800,670.01	Keps Nut, 1/4 - 20
B3	900,800,500.01	Keps Nut, #8 - 32
E2	900,201,170.01	Carriage Bolt, 1/4 - 20 x 1 "

# Main Door Interior

## 7Up (B7)

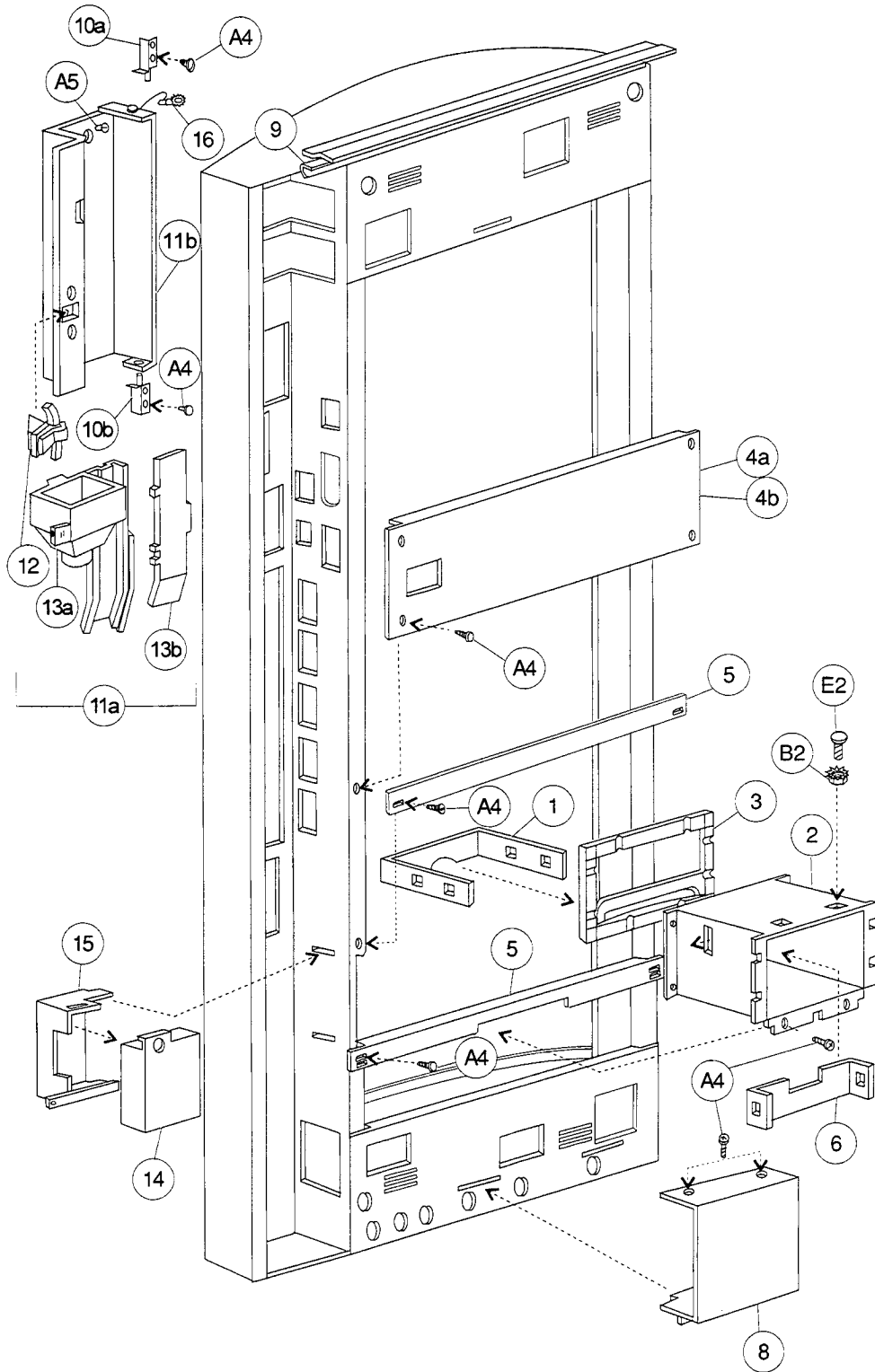


## 7Up (B7)

Item	Part Number	Part Name And Description By Model Number
1		Discharge Member
	360,050,370.43	All Models
2		Delivery Port (Black Frame)
	801,806,030.71	348/360/368/414/432/440/501/600
	468,050,600.03	276
3		Assembly, Bumper
	455,050,300.03	All Models
4		Port Spacer
	801,806,010.01	All Models
5		Door Stiffener
	462,050,090.23	348/360/368/414/432/440/501/600 NON MPC & NON SII
	455,050,310.13	368 SII
	455,050,060.23	440 MPC
	468,050,150.03	276
6		Delivery Port Stiffener
	455,050,050.53	348/360/368/414/432/440/501/600
	468,050,070.23	276 Top
	468,050,120.43	276 Bottom
7		Closure Strip
	432,010,510.13	348/360/368/414/432/440/501/600
	399,050,150.43	276
8		1" Clamp, Heyco 3390
	901,901,890.01	All Models
9		Cover Wire Plug
	432,050,660.03	All Models
10		"L" - Profile Gasket
	903,600,530.01	348/360/368/414/432/440/501/600
	903,600,540.01	276
11a		Top Access Door Hinge, weld assembly
	455,050,700.03	All Models
11b		Bottom Access Door Hinge, weld assembly
	455,050,600.03	All Models
12a		Access Door Assembly
	491,050,600.03	All Models
12b		Access Door
	432,150,030.53	All Models
13		Latch
	901,902,130.11	All Models
14a		Coin Hopper & Chute
	801,806,580.51	All Models
14b		Coin Chute Front
	801,806,590.11	All Models
15		Cash Box weld assembly
	455,051,100.03	All Models
16		Cash Box Shelf
	455,050,140.43	All Models
17		Ground Wire, 4" (102mm)
	804,902,610.11	All Models
18		Door Strap
	572,050,130.43	SII & NON MPC
	563,050,010.13	MPC
19		Crown Puller Cover Plate
	360,010,180.13	All Models
20		Validator Cover Plate
	455,010,050.13	All NON VRV Models
A4	900,301,500.01	Screw, Phil Pan w/out Washer #8 - 18 x 1/2"
A5	900,301,970.11	Screw, Phil Pan Swage Form #8 - 32 x 1/4"
A9	900,301,560.11	Screw, Phil Pan Swage Form #8 - 32 x 3/8"
A15	900,201,140.11	Screw, Machine Truss #10 - 32 x 1/2"
A16	900,301,650.01	Screw, Phil Pan Sems w/washer, #8 - 18 x 1/2"
B1	900,800,650.01	Keps Nut, #10 - 32
B2	900,800,670.01	Keps Nut, 1/4 - 20
B3	900,800,500.01	Keps Nut, #8 - 32
E2	900,201,170.01	Carriage Bolt, 1/4 - 20 x 1"

# Main Door Interior

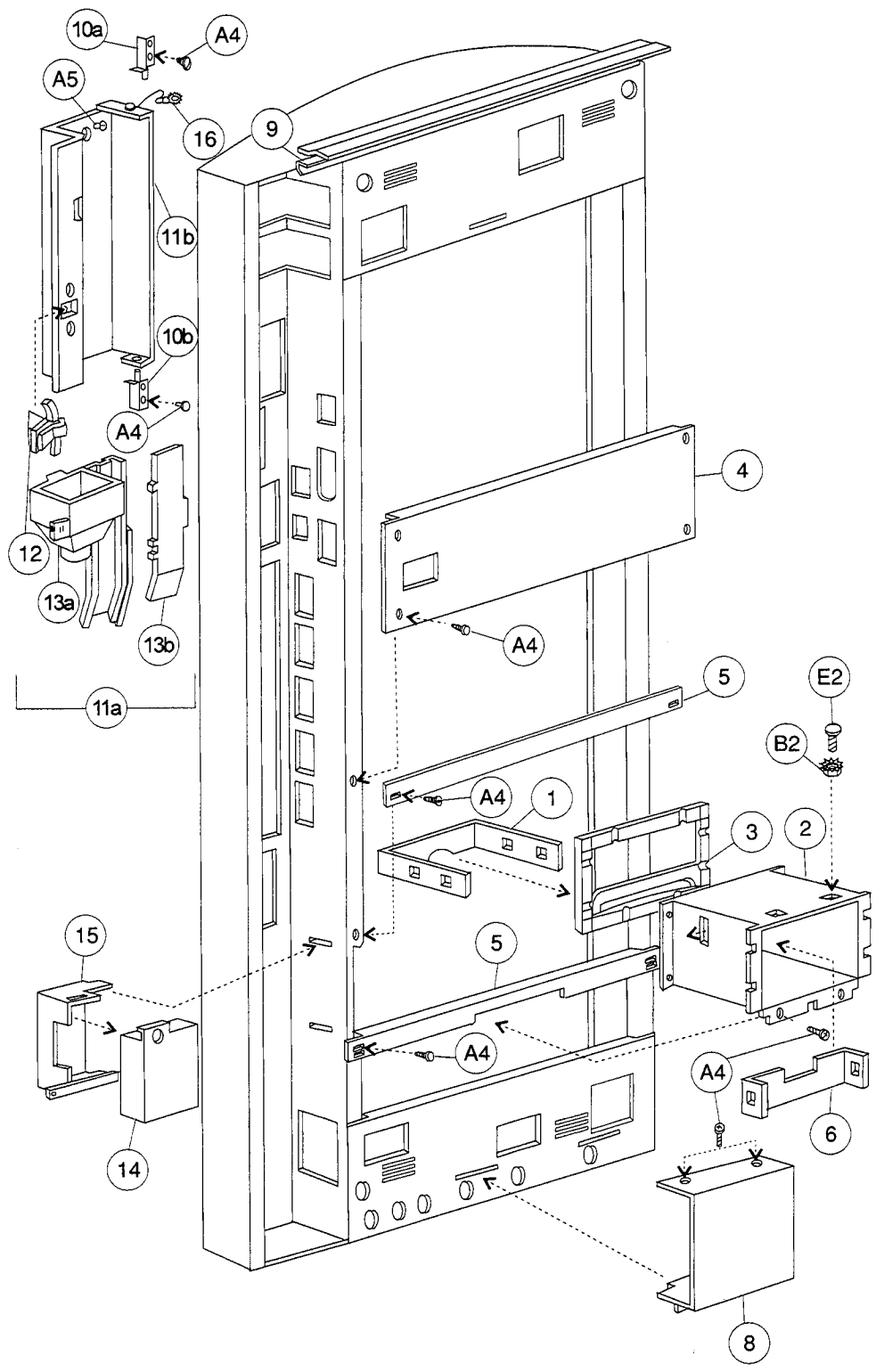
Veryfine Circular (0001-3194C0 to 0001-6169AS)





Main Door Interior

Veryfine/RC Inverted "L" Circular



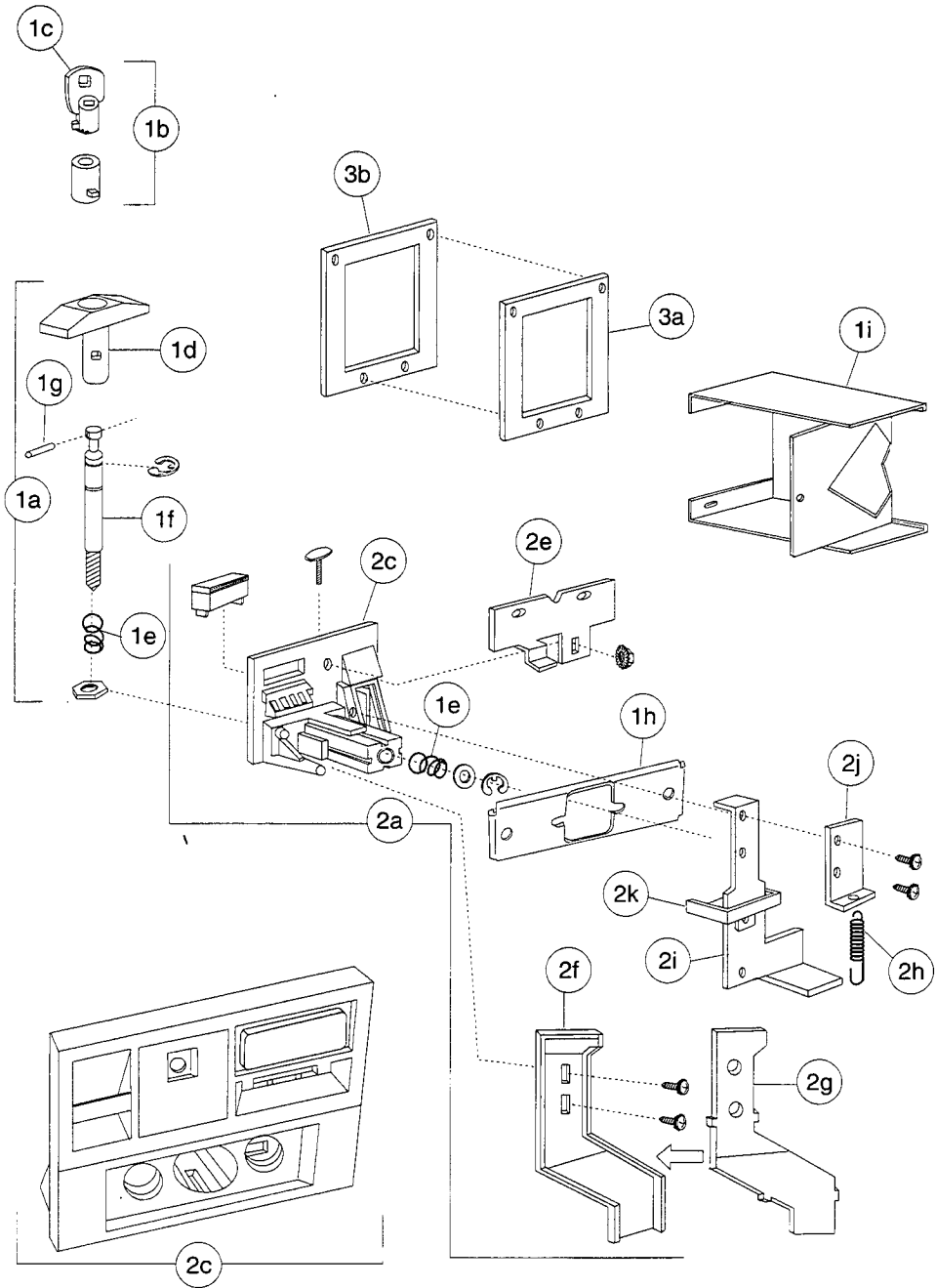
## Veryfine/RC Inverted "L" Circular

Item	Part Number	Part Name And Description By Model Number
1		Discharge Member
	360,050,370.43	All Models
2		Delivery Port (Black Frame)
	801,806,030.71	All Models
3		Port Spacer
	801,805,670.41	All Models
4		Door Stiffener
	453,150,010.23	All Models
5		Delivery Port Stiffener
	480,050,060.13	All Models
6		Closure Strip
	432,010,510.13	All Models
7		1" Clamp, Heyco 3390
	901,901,890.01	All Models
8		Cover Wire Plug
	432,050,780.03	All Models
9		"L" - Profile Gasket
	903,600,530.01	All Models
10a		Top Access Door Hinge, weld assembly
	432,051,000.03	All Models
10b		Bottom Access Door Hinge, weld assembly
	432,051,101.63	All Models
11a		Access Door Assembly
	491,050,600.03	All Models
11b		Access Door
	432,150,030.53	All Models
12		Latch
	901,902,130.11	All Models
13a		Coin Hopper & Chute
	801,806,580.51	All Models
13b		Coin Chute Front
	801,806,590.11	All Models
13c		weld assembly Hopper Extension (10 Select Venders)
	480,050,400.13	414
14		Cash Box weld assembly
	432,051,800.13	All Models
15		Cash Box Shelf
	432,050,181.53	All Models
16		Ground Wire, 4" (102mm)
	804,902,610.11	All Models
17		Door Strap
	453,050,140.03	NON SII and NON MPC
	572,050,130.53	SII
A4	900,301,500.01	Screw, Phil Pan w/out Washer #8 - 18 x 1/2"
A5	900,301,970.11	Screw, Phil Pan Swage Form #8 - 32 x 1/4"
A9	900,301,560.11	Screw, Phil Pan Swage Form #8 - 32 x 3/8"
A15	900,201,140.01	Screw, Machine Truss #10 - 32 x 1/2"
A16	900,301,650.01	Screw, Phil Pan Sems w/washer #8 - 18 x 1/2 "
B1	900,800,650.01	Keps Nut, #10 - 32
B2	900,800,670.01	Keps Nut, 1/4 - 20
B3	900,800,500.01	Keps Nut, #8 - 32
E2	900,201,170.01	Carriage Bolt, 1/4 - 20 x 1 "



# Pull-Out Handle & Coin Insert

## Can Display



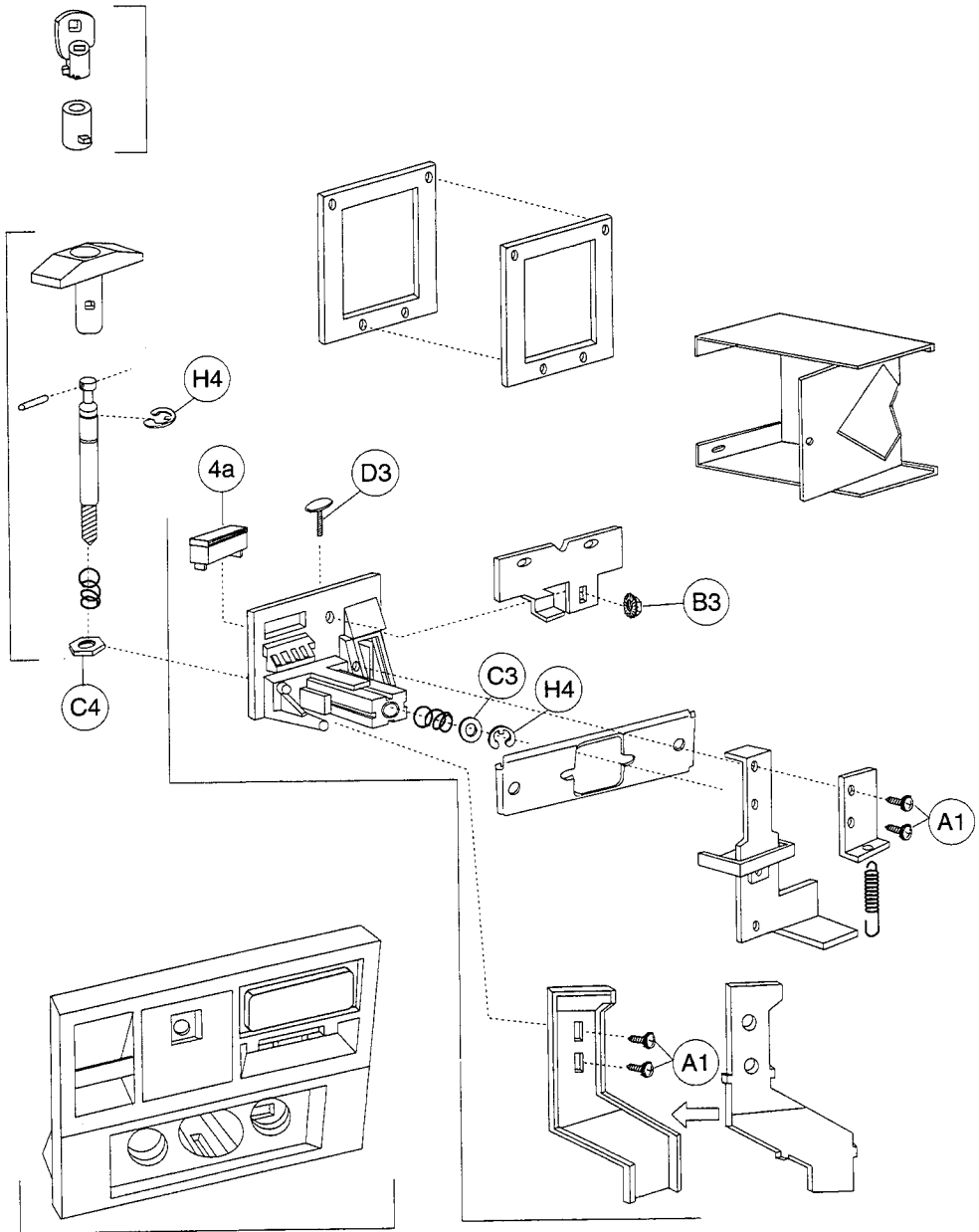
## Can Display

Item	Part Number	Part Name And Description By Model Number
1a		T-Handle Assembly
	801,503,040.01	360/368/501
	801,502,850.01	180
1b		Lock with Two Keys
	Specify Key No.	All Models
1c		Key Only
	Specify Key No.	All Models
1d		Handle Only
	801,505,730.01	All Models
1e		Spring
	901,503,050.01	All Models
1f		Stud (4255-6-71)
	801,505,260.01	All Models
1g		Cross Pin
	901,503,090.11	All Models
1h		Back Up Plate "T" Handle
	455,050,260.13	180
1i		T-Handle Brace
	267,050,191.93	180
2a		Coin Insert Assembly (w/out T-Handle)
	480,150,500.03	Domestic (USA & Canada) - 360/368/501
	565,150,000.03	Domestic SII (USA & Canada) - 360/368/501
	480,450,500.03	Export, Large Coin (All Others Except Listed Below) - 360/368/501
	480,750,500.03	Export SII, Large Coin Argentina - 360/368/501
	480,650,500.03	Argentina, Token - 360/368/501
2b		Coin Insert Assembly (Not Shown)
	543,050,800.03	Domestic, DNCB Flat Style - 180
2c		Coin Insert
	801,201,180.71	Domestic (USA & Canada) - 360/368/501
	801,201,400.21	Domestic SII (USA & Canada) - 360/368/501
	801,201,290.41	Export, Large Coin (All Others Except Listed Below) - 360/368/501
	801,201,450.11	Export SII, Large Coin (All Others Except Listed Below) - 360/368/501
	801,201,350.21	Argentina, Token - 360/368/501
2d		Coin Insert (Not Shown)
	801,200,920.91	Domestic, DNCB Flat Style - 180
2e		Coin Insert Retainer NON SII
	453,050,130.83	360/368/501
	143,051,220.93	180
2f		Coin Chute Cover
	801,805,800.61	360/368/501
	801,805,380.11	180
2g		Coin Chute
	801,805,791.21	360/368/501
	801,805,370.31	180
2h		Spring Extension, Coin Return
	901,700,630.11	All Models
2i		Coin Return Plunger Assembly
	453,050,800.03	360/368/501
	801,303,610.51	180
2j		Plunger Bracket, Coin Insert
	432,050,570.33	360/368/501
	208,050,121.03	Plunger Retainer Plate 180
2k		Drip Chute, Short
	801,806,080.01	360/368/501
	801,805,270.51	180
3a		Validator Filler Plate
	360,050,720.53	All Models
3b		Gasket, Validator - Black
	902,001,020.11	All Models

Continued next page

# Pull-Out Handle & Coin Insert

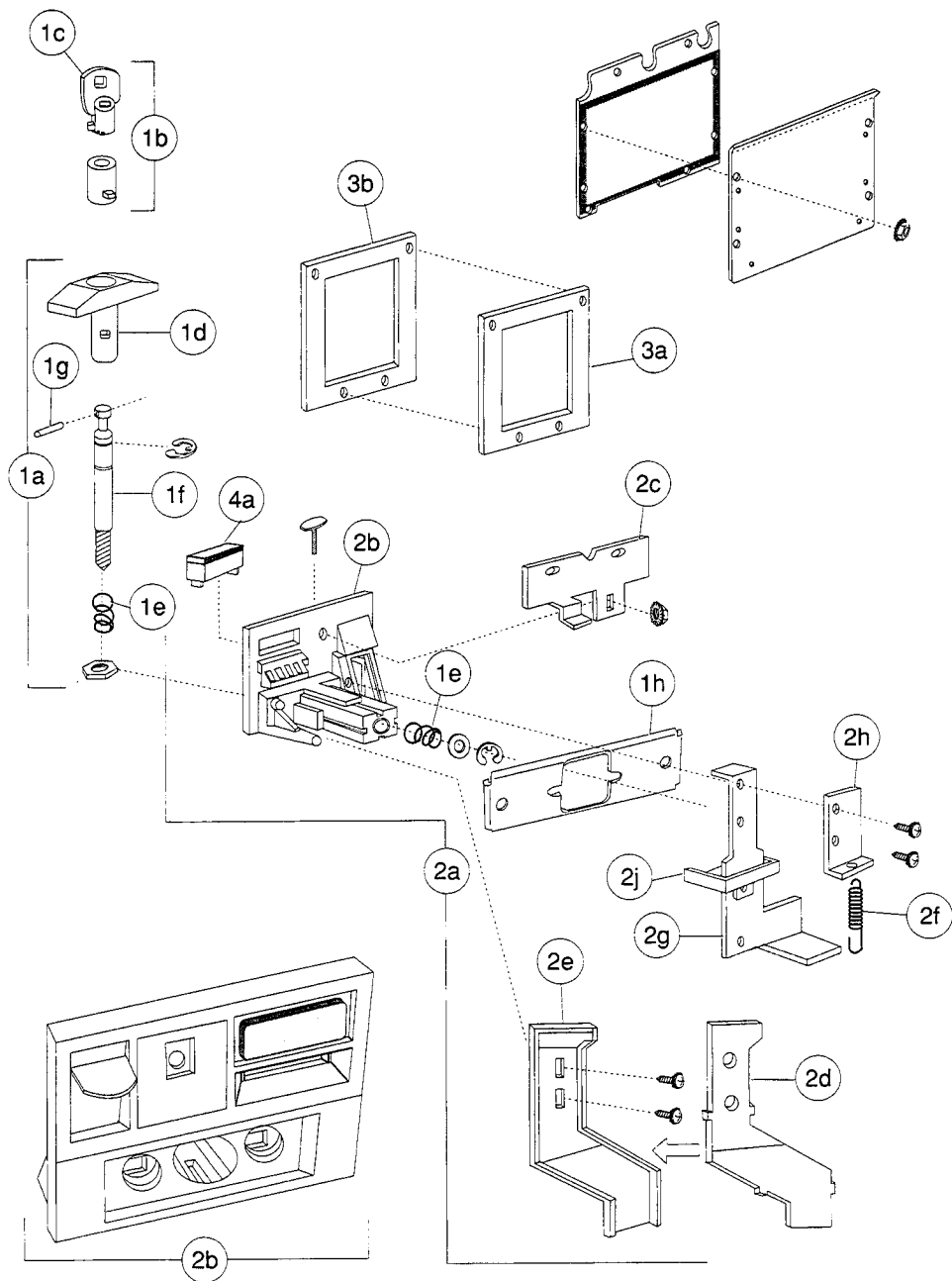
## Can Display





# Pull-Out Handle & Coin Insert

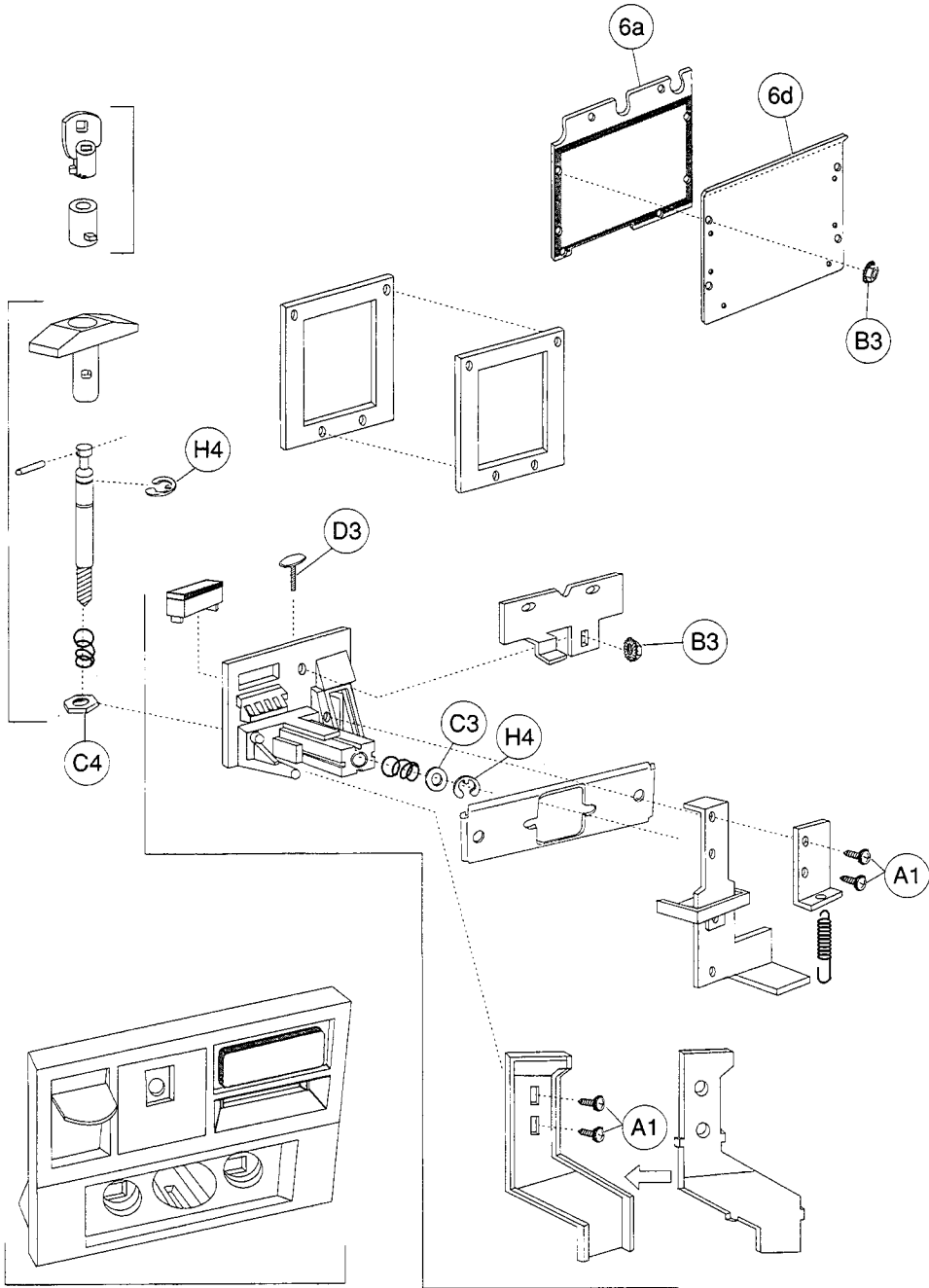
Cold Drink FLS, Dr Pepper (D3), Generic Round, Veryfine Circular, Veryfine/RC Inverted "L" Circular





# Pull-Out Handle & Coin Insert

Cold Drink FLS, Dr Pepper (D3), Generic Round, Veryfine Circular, Veryfine/RC Inverted "L" Circular

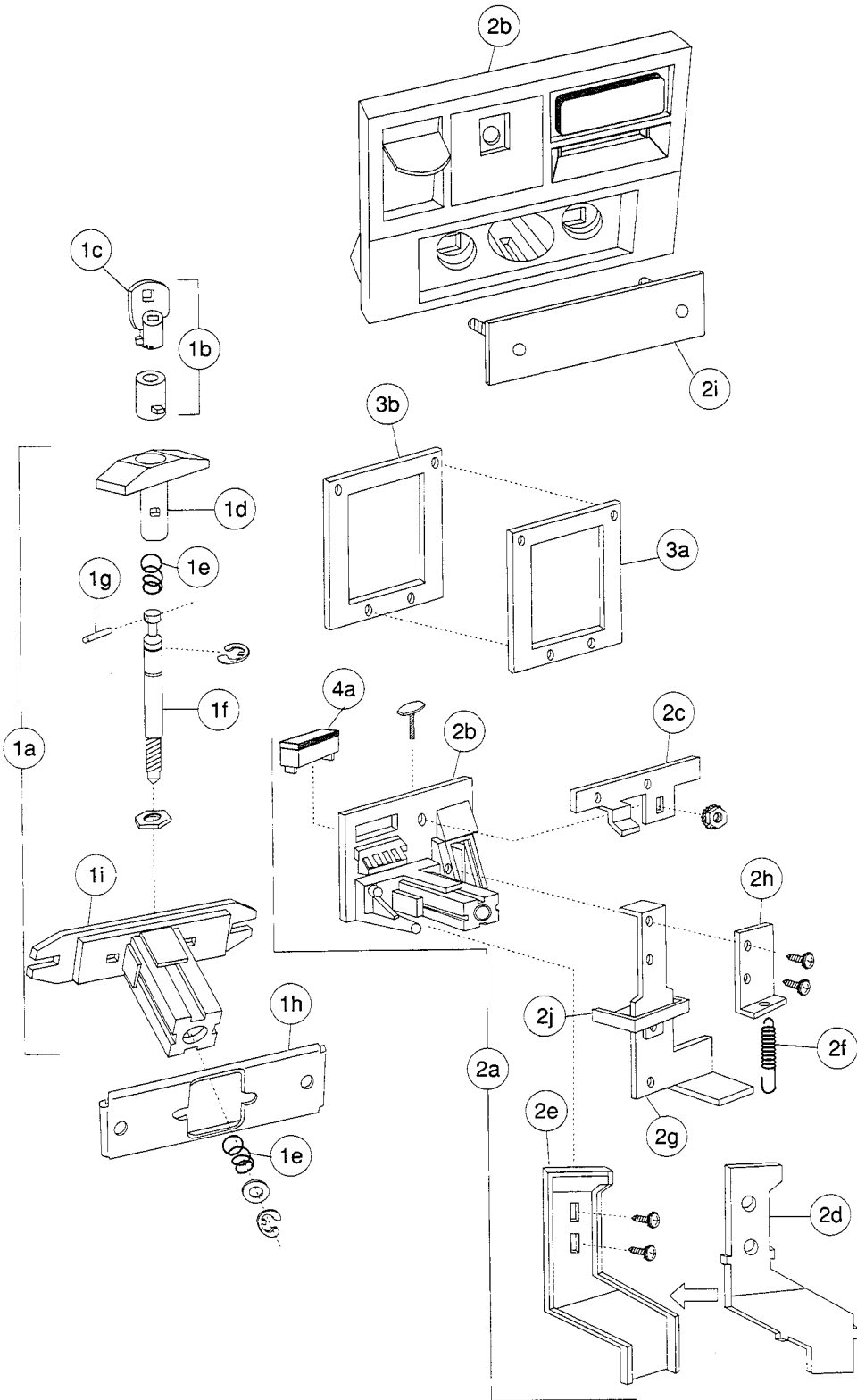






**Pull-Out Handle & Coin Insert**

**7Up (B7)**



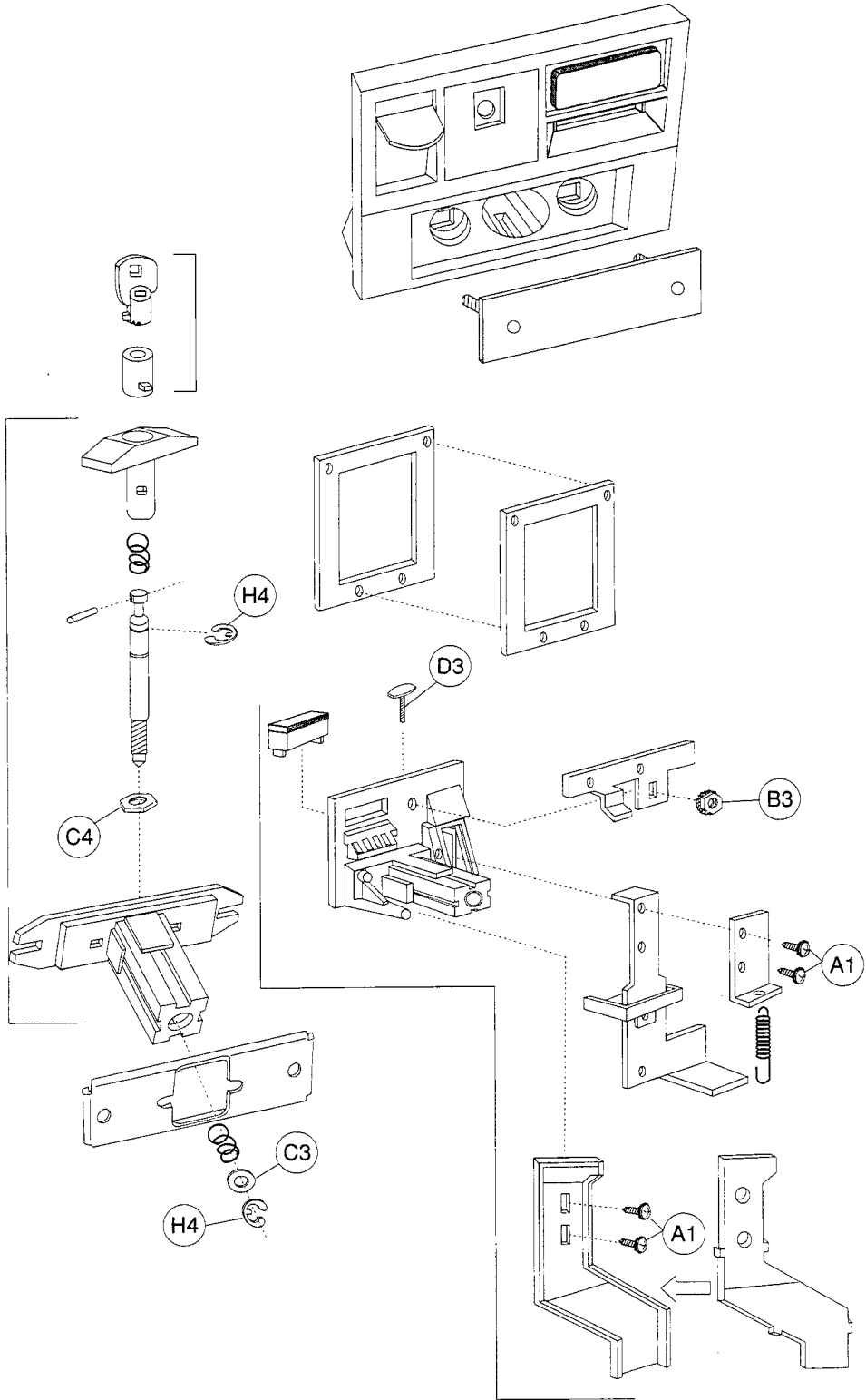
## 7Up (B7)

Item	Part Number	Part Name And Description By Model Number
1a		T-Handle Assembly, Black
	801,503,180.01	All Models
1b		Lock with Two Keys
	Specify Key No.	All Models
1c		Key Only
	Specify Key No.	All Models
1d		Handle Only
	801,507,010.01	7UP (Black)
1e		Spring
	901,503,050.01	All Models
1f		Stud (4255-6-44W)
	801,505,290.01	All Models
1g		Cross Pin
	901,503,090.11	All Models
1h		Back Up Plate "T" Handle
	455,050,260.13	All Models
1i		T-Handle Body
	801,505,280.01	All Models
2a		Coin Insert Assembly W/Out T-Handle
	455,050,400.03	Domestic (USA & Canada) - All Models
	565,150,000.03	Domestic SII (USA & Canada) - All Models
	480,450,500.03	Export, Large Coin (All Others Except Listed Below) - All Models
	480,750,500.03	Export SII, Large Coin (All Others Except Listed Below) - All Models
2b	480,650,500.03	Argentina, Token - All Models
		Coin Insert
	801,201,180.61	Domestic (USA & Canada) - All Models
	801,201,400.11	Domestic SII (USA & Canada) - All Models
	801,201,290.31	Export, Large Coin (All Others Except Listed Below) - All Models
2c	801,201,450.01	Export SII, Large Coin (All Others Except Listed Below) - All Models
	801,201,350.11	Argentina, Token - All Models
		Coin Insert Retainer
2d	453,050,130.83	All Models
		Coin Chute Cover
2e	801,805,800.61	All Models
		Coin Chute
2f	801,805,791.21	All Models
		Spring Extension
2g	901,700,630.11	All Models
		Coin Return Plunger Assembly
2h	453,050,800.03	All Models
		Plunger Bracket
2i	432,050,570.33	All Models
		Coin Insert "T" Handle Cover Plate
2j	459,050,080.01	All Models
		Drip Chute, Short
3a	801,806,080.01	All Models
		Validator Plate
3b	455,010,050.13	All Models
		Gasket Validator Black
4a	902,001,020.11	All Models
		Correct Change Lamp (NON MPC & NON SII)
	904,700,180.31	English "Use Correct Change"
	904,700,500.11	English, IEC Standard "Use Correct Change"
	804,700,440.31	Spanish "Importe Exacto"
	804,700,450.21	French "Faites L'Appoint"
	804,700,400.21	Italian "Usare Monete Contate"
	804,700,470.21	Arabic "Luffen Para Atiniz"
	804,700,480.31	German "Abgezahltes Geld Verwendend"
	904,700,490.21	Portuguese "Introduza Quantia Exacta"
	804,700,560.01	Hebrew
904,700,280.01	Export Correct Change	

Continued next page.

# Pull-Out Handle & Coin Insert

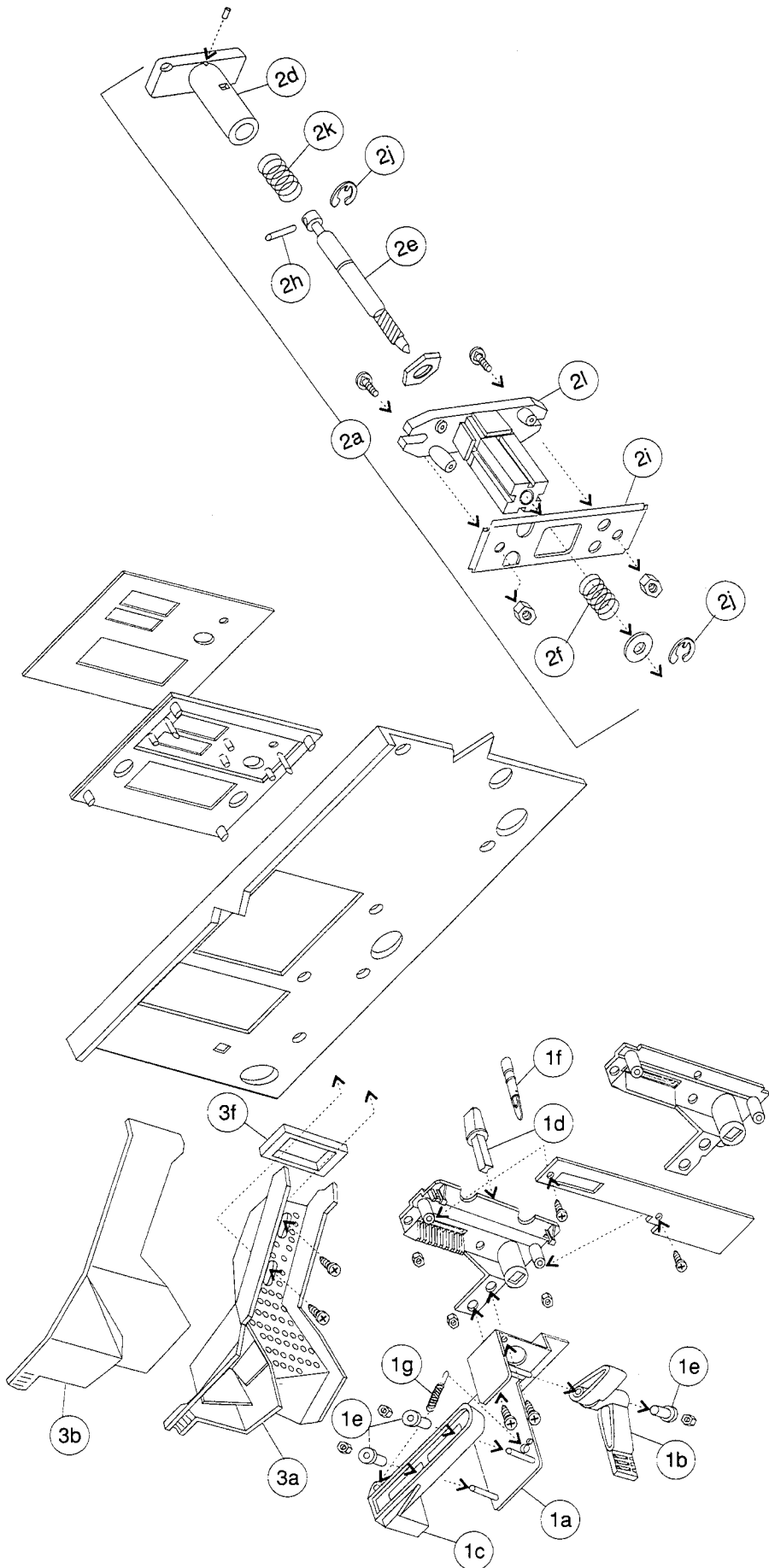
## 7Up (B7)





**Pull-Out Handle & Coin Insert**

**7Up (B7) VRV**



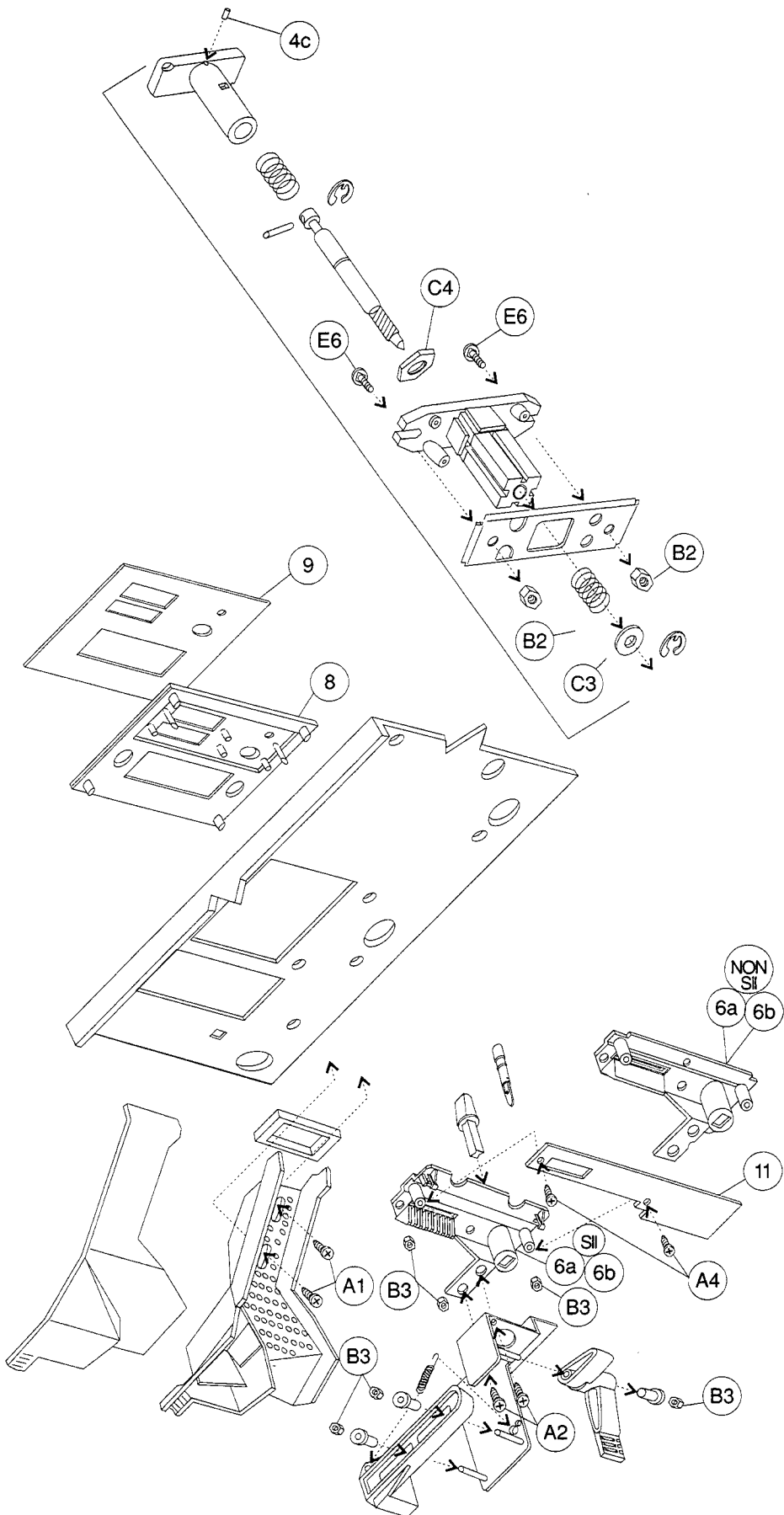
7Up (B7) VRV

Item	Part Number	Part Name And Description By Model Number
1		Assembly, Sub Coin Return VRV & VRV SII
	462,250,600.03	All Models
1a		Assembly, Coin Return Mounting Bracket and Stud VRV SII
	572,053,100.03	All Models
1b		Bell Crank, Coin Return VRV (makes contact with push button)
	801,807,260.11	All Models
1c		Actuator, Coin Return VRV (makes contact with changer reject arm)
	801,807,240.21	All Models
1d		Push Button, Coin Return VRV
	801,807,250.31	All Models
1e		Metal Shoulder Bushing VRV (for bell crank/actuator)
	905,300,350.01	All Models
1f		Use Correct Change Light VRV, 125 VAC (All NON MPC & NON SII)
	804,700,540.21	All Models
1g		Extension Spring, Coin Return
	901,700,630.11	All Models
2a		Assembly, Flush Mount T-Handle VRV
	801,512,100.01	All Models
2b		Lock with Two Keys
	Specify Key No.	All Models
2c		Key Only
	Specify Key No.	All Models
2d		T-Handle Only, Flush Mount - Black VRV
	801,512,000.01	All Models
2e		Stud, Flush Mount Lock VRV
	801,514,750.01	All Models
2f		Spring T-Handle
	901,503,050.01	All Models
2h		Cross Pin, T-Handle
	901,503,090.11	All Models
2i		Retainer, High Security Flange VRV (back up plate)
	572,000,010.13	All Models
2j		External Retaining Ring
	801,507,340.11	All Models
2k		Spring, Flush Mount T-Handle VRV
	901,508,180.01	All Models
2l		T-Handle Body, Flush Mount
	801,508,160.11	All Models
2m		Assembly, Plate - Handle Back up (Not Shown)
	462,051,130.03	All Models
3		Vender Defender Kit VRV
	491,540,700.23	All Models
3a		Vender Defender Bottom and Screen VRV
	801,807,470.11	All Models
3b		Vender Defender, Top Cover VRV
	801,807,480.11	All Models
3c		Vender Defender, Clip VRV
	801,807,490.01	All Models
3d		Vender Defender, Drain Hose VRV
	801,807,500.01	All Models
3e		Vender Defender, Instruction Package VRV
	801,807,510.01	All Models
3f		Vender Defender Gasket
	801,808,110.01	All Models
4		Assy., Lock Security Parts & Instructions Bag VRV
	572,052,500.04	All Models
4a		Envelope, Parts/Instruction VRV
	905,406,890.11	All Models
4b		Allen Key, 1/16" Hex VRV
	800,101,150.01	All Models

Continued next page

Pull-Out Handle & Coin Insert

7Up (B7) VRV

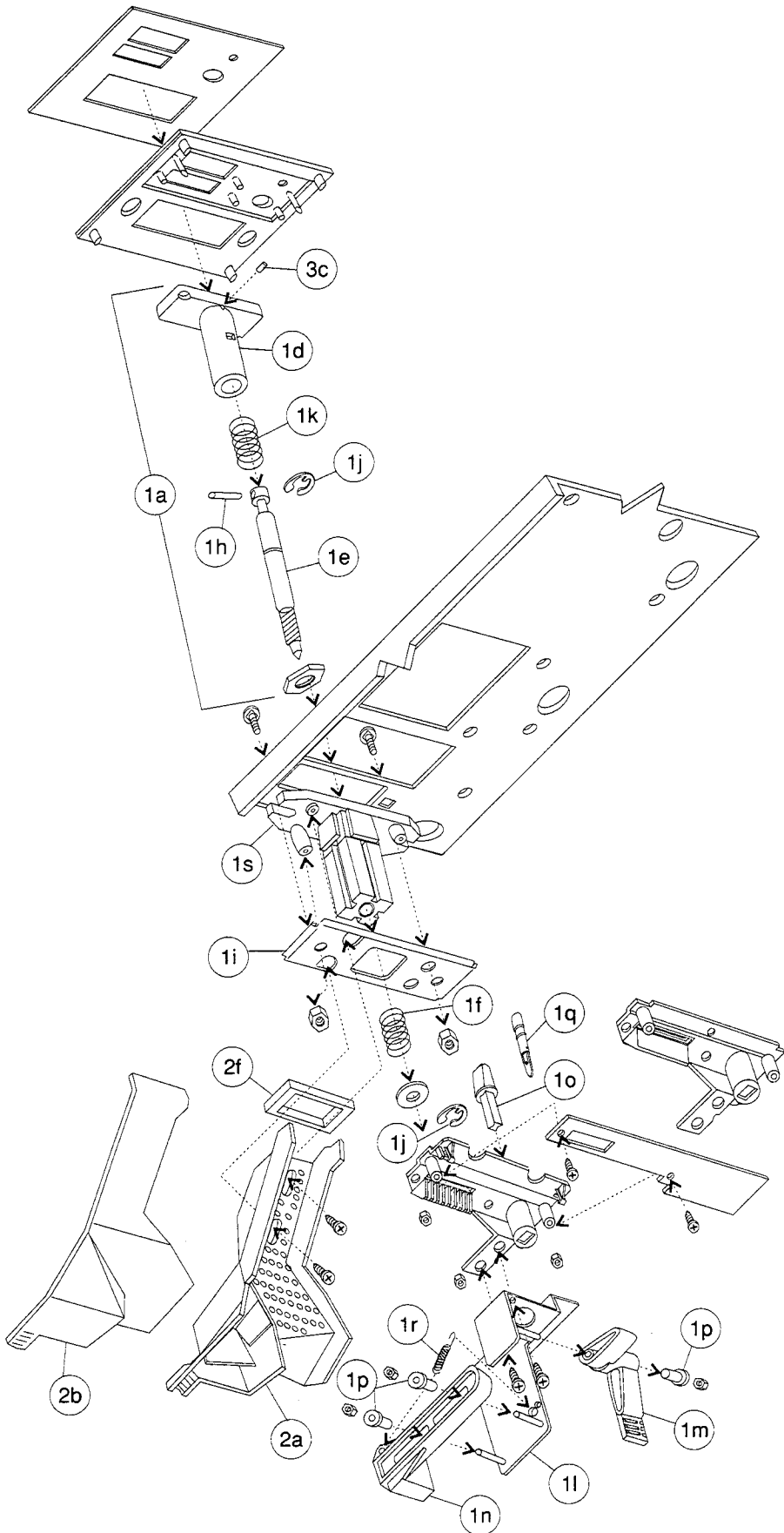






# Pull-Out Handle & Coin Insert

## Dr Pepper (D3) VRV



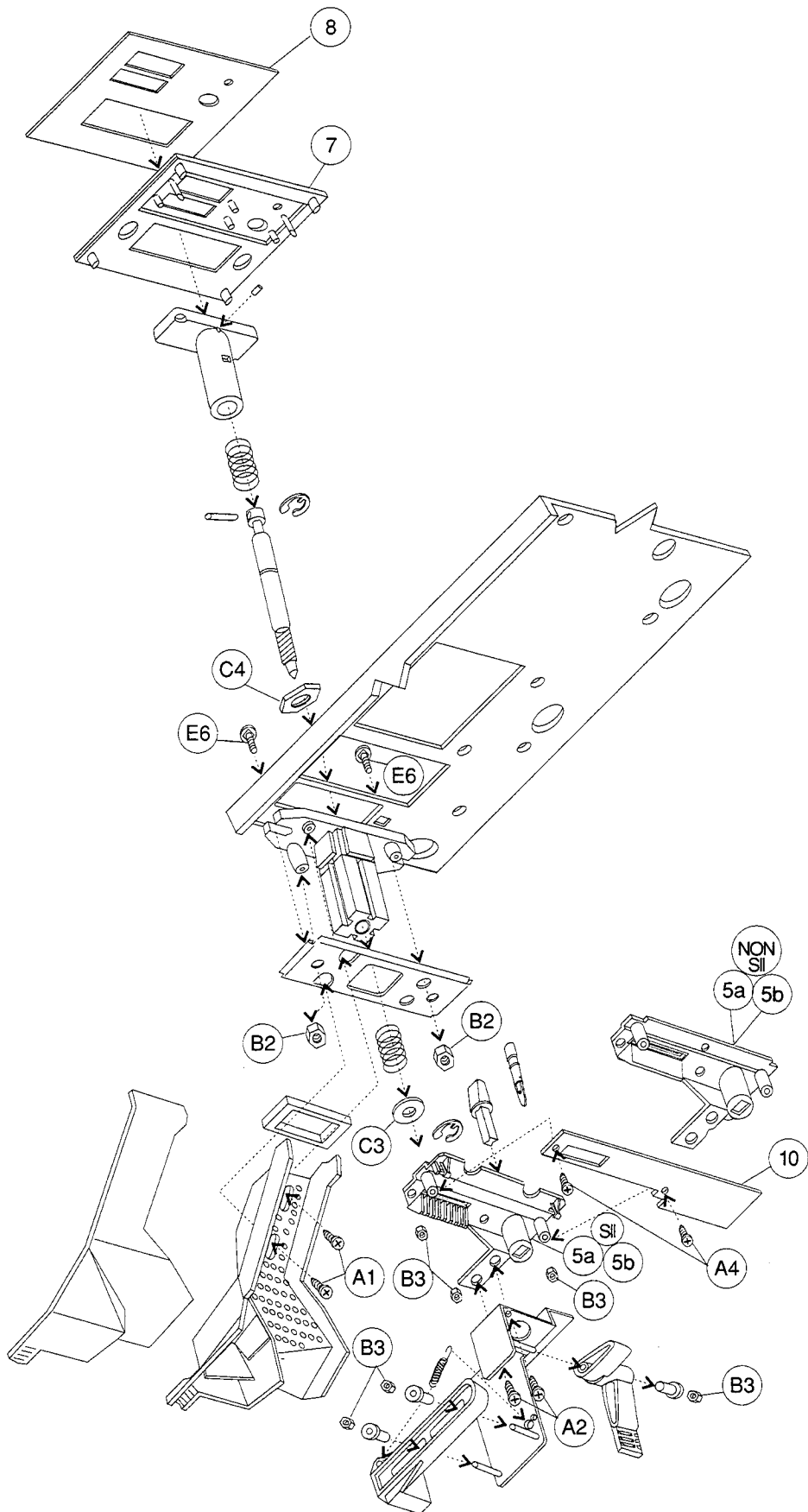
## Dr Pepper (D3) VRV

Item	Part Number	Part Name And Description By Model Number
1		Assembly, Sub Coin Return
	572,050,600.33	VRV
	572,052,100.03	VRV SII
1a	801,508,200.11	Assembly, Flush Mount T-Handle VRV All Models
1b		Lock with Two Keys
	Specify Key No.	All Models
1c		Key Only
	Specify Key No.	All Models
1d		T-Handle Only, Flush Mount VRV
	801,508,150.11	All Models
1e		Stud, Flush Mount Lock VRV
	801,508,190.11	All Models
1f		Spring, T-Handle
	901,503,050.01	All Models
1h		Cross Pin, T-Handle
	901,503,090.11	All Models
1i		Retainer, High Security Flange VRV (back up plate)
	572,000,010.13	All Models
1j		External Retaining Ring
	801,507,340.11	All Models
1k		Spring, Flush Mount T-Handle VRV
	901,508,180.01	All Models
1l		Assembly, Coin Return Mounting Bracket and Stud VRV
	572,051,600.13	All Models
1m		Bell Crank, Coin Return VRV (makes contact with push button)
	801,807,260.11	All Models
1n		Actuator, Coin Return VRV (makes contact with changer reject arm)
	801,807,240.21	All Models
1o		Push Button, Coin Return VRV
	801,807,250.31	All Models
1p		Metal Shoulder Bushing VRV (for bell crank/actuator)
	905,300,350.01	All Models
1q		Use Correct Change Light VRV, 125VAC (All NON MPC & NON SII)
	804,700,540.21	All Models
1r		Extension Spring, Coin Return
	901,700,630.11	All Models
1s		T-Handle Body, Flush Mount
	801,508,160.11	All Models
2		Vender Defender Kit VRV
	491,540,700.23	All Models
2a		Vender Defender Bottom and Screen VRV
	801,807,470.11	All Models
2b		Vender Defender, Top Cover VRV
	801,807,480.11	All Models
2c		Vender Defender, Clip VRV
	801,807,490.01	All Models
2d		Vender Defender, Drain Hose VRV
	801,807,500.01	All Models
2e		Vender Defender, Instruction Package VRV
	801,807,510.01	All Models
2f		Vender Defender Gasket
	801,808,110.01	All Models
3		Assembly, Lock Security Parts & Instruction Bag VRV
	572,052,500.04	All Models
3a		Envelope, Parts/Instruction VRV
	905,406,890.11	All Models
3b		Allen Key, 1/16" Hex VRV
	800,101,150.01	All Models
3c		Set Screw, Plug Lock VRV
	901,508,170.11	All Models

Continued next page

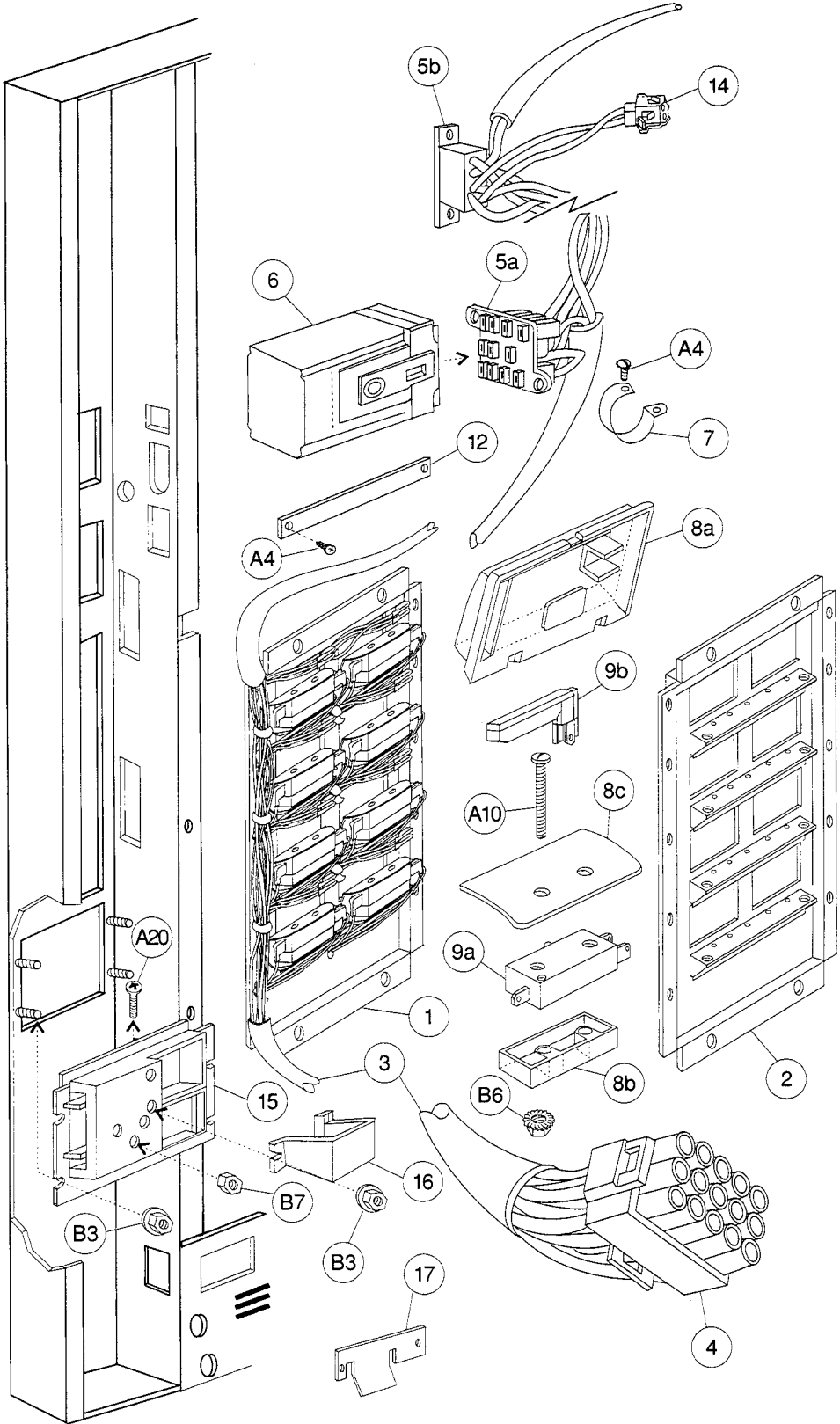
# Pull-Out Handle & Coin Insert

## Dr Pepper (D3) VRV





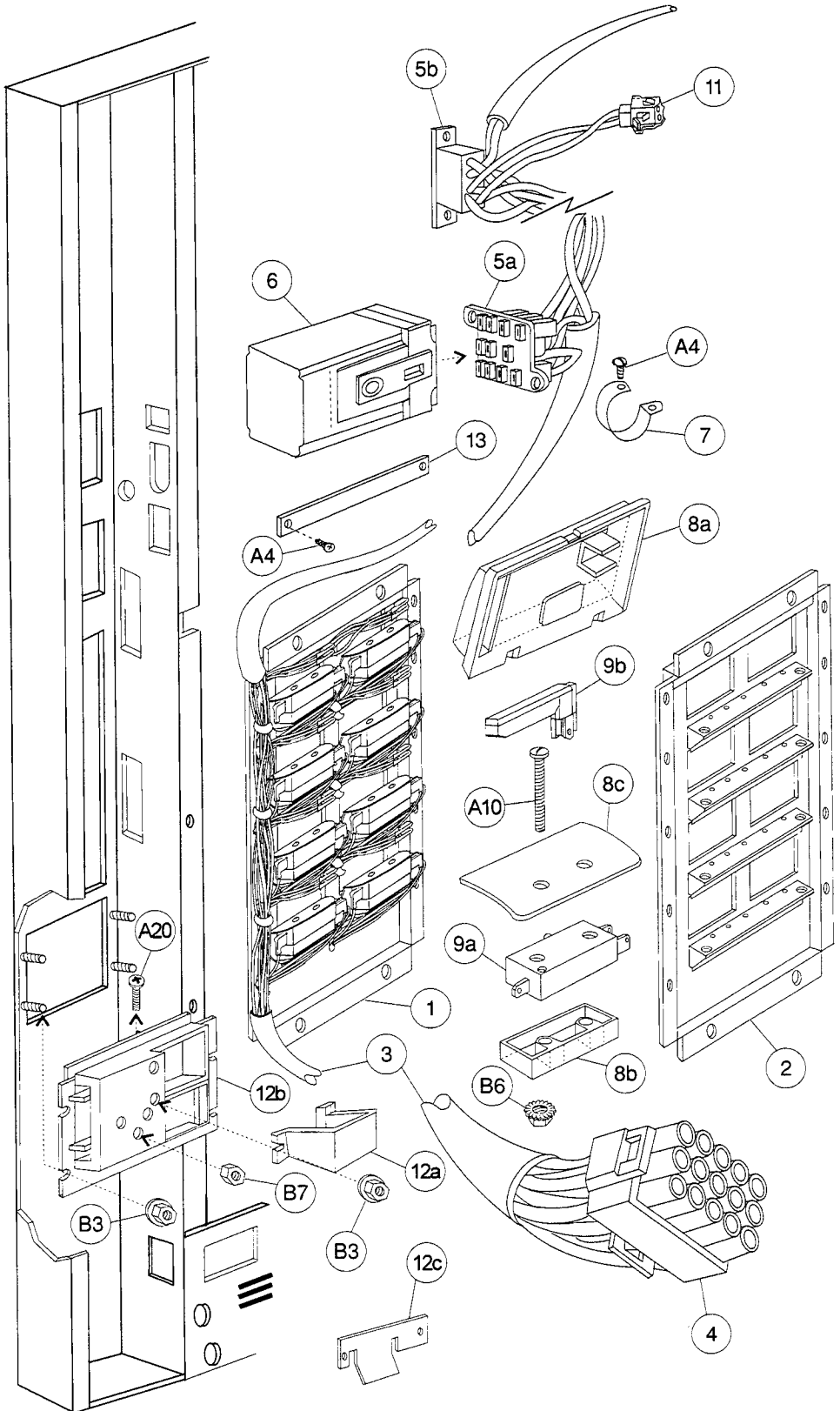
# Can Display



## Can Display

Item	Part Number	Part Name And Description By Model Number
1		Select Panel Assembly
	469,050,900.03	368/501 NON SII (8QB)
	565,150,300.03	368/501 SII (8QB)
	477,050,300.03	360 NON SII (6QB)
	337,050,200.03	180 NON SII (5QB)
	565,152,010.03	180 SII (5QB)
2		Select Panel
	469,050,500.03	368/501 (8QB) Select Panel Front
	577,050,400.03	360 (6QB) Select Panel Front
	337,050,300.03	180 NON SII (5QB) weld assembly Control Panel
	555,150,100.03	180 SII (5QB) Select Panel Front
3		Door Harness
	See Wiring Harness Section	All Models
4		15-Way Plug (Amp 1-480710-0)
	904,600,830.01	All Models
5a		Socket, Relay (93-153-1)
	904,600,620.01	All Models
5b		Socket, Coin Changer (8 Pin Jones) (1-480-289-0)
	904,600,600.01	All Models
6		Vend Relay (Single Price Only) (9320166623200ARB)
	804,200,170.11	All Models
7		1" Clamp, Heyco 3390
	901,901,890.01	All Models
8a		Select Button
	801,804,510.11	All Models
8b		Select Button Stop
	801,804,540.41	All Models
8c		Insulator, Switch Shield & Spring, Mylar
	801,804,620.31	All Models
9a		Select Switch
	804,100,510.21	NON SII
	804,100,760.11	SII
9b		Sold Out Lamp
	804,700,510.01	NON SII & VRV NON SII
	804,700,570.01	SII & NON VRV SII (Production Run 6156 and higher)
	804,700,520.01	NON VRV SII (Prior to 6156)
10		Flavor Cards
	Indicate Flavor	All Models
11		Bracket, Relay/Changer Socket (NON MPC/NON SII)
	453,050,160.53	All Models
12		Door Strap
	523,050,110.13	MPC
	572,050,130.43	SII
	453,050,140.03	360/368/501 NON MPC/NON SII
13		Door Switch
	804,100,770.21	SII
	804,100,640.01	MPC
14		2 Way Cap (1-480-699-0)
	904,600,700.01	All Models
15		Change Cup & Opener Bezel
	801,805,610.41	All Models
16		Change Cup
	801,805,530.61	All Models
17		Opener Housing Reinforcement Plate
	399,050,270.13	All Models
B6	900,800,490.01	Keps Nut, #6 - 32
A20	900,201,220.11	Screw, Machine Phil Pan #8 - 32 x 3/4"
B7	900,800,510.01	Elastic Stop Nut #8 - 32
A4	900,301,500.01	Screw, Phil Pan w/out washer #8 - 18 x 1/2"
A9	900,301,560.11	Screw, Phil Pan Swage Form #8 - 32 x 3/8"
D1	900,400,430.01	T-Bolt #8 - 32 x 1"
B3	900,800,500.01	Keps Nut #8 - 32
A10	900,201,310.01	Screw, Machine #6 - 32 x 1 1/4"
A6	900,300,470.01	Screw, Vend Motor #4 x 3/4"

# Cold Drink FLS

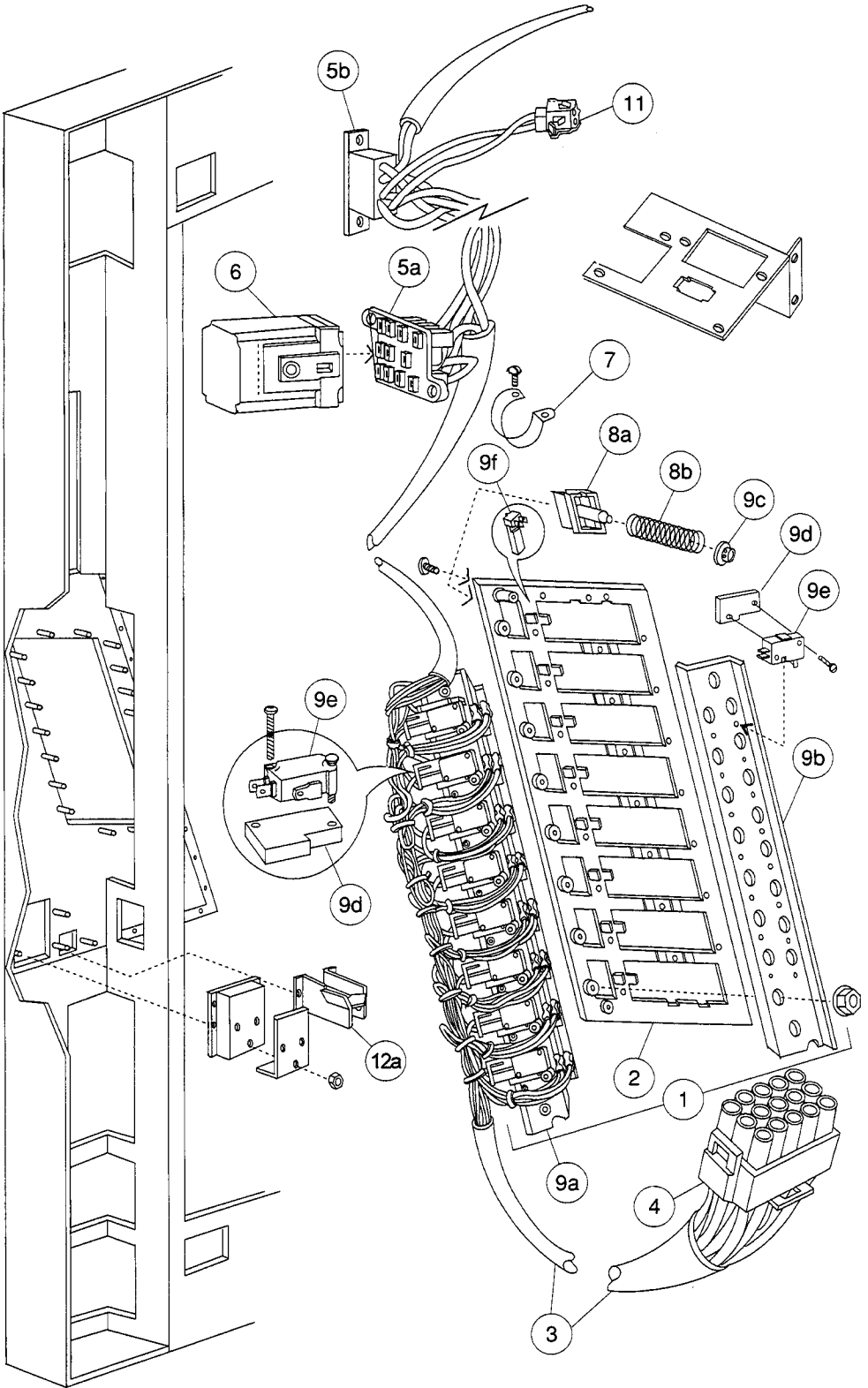


**Cold Drink FLS**

Item	Part Number	Part Name And Description By Model Number
1		Select Panel Assembly
	469,050,900.03	368/440/501/600 NON SII (8 Select)
	565,150,300.03	368/440/501/600 SII (8 Select)
	477,050,300.03	276/360 NON SII (6 Select)
	565,151,800.03	276/360 SII (6 Select)
	565,152,800.03	348 SII (10 Select)
	555,150,200.03	180/300 NON SII (5 Select)
2		Assembly Front Control Panel
	469,050,500.03	368/440/501/600 NON SII & SII (8 Select)
	471,050,300.03	348 SII (10 Select)
	477,050,400.03	276/360 NON SII & SII (6 Select)
	555,150,100.03	180/300 SII (5 Select)
3		Door Harness
	See Wiring Harness Section	All Models
4		15-Way Plug (Amp 1-480710-0)
	904,600,830.01	All Models
5a		Socket, Relay (93-153-1)
	904,600,620.01	All Models
5b		Socket, Coin Changer (8 Pin Jones) (1-480-289-0)
	904,600,600.01	All Models
6		Vend Relay (Single Price Only) (9320166623200ARB)
	804,200,170.11	All Models
7		1" Clamp, Heyco (3390)
	901,901,890.01	All Models
8a		Select Button
	801,804,510.11	All Models
8b		Select Button Stop
	801,804,540.41	All Models
8c		Insulator, Switch Shield & Mylar
	801,804,620.31	All Models
9a		Select Switch
	804,100,510.21	NON SII
	804,100,760.11	SII
9b		Sold Out Lamp
	804,700,510.01	NON SII & VRV NON SII
	804,700,570.01	SII & NON VRV SII (production run 6156 & Up)
	804,700,520.01	NON VRV SII (prior to 6156)
10		Flavor Cards
	Indicate Flavor	All Models
11		2-Way Cap (1-480-699-0)
	904,600,700.01	All Models
12a		Change Cup
	801,805,530.61	All Models
12b		Change Cup & Opener Bezel
	801,805,610.41	All Models
12c		Opener Housing Reinforcement Plate
	399,050,270.13	All Models
13		Door Strap
	572,050,130.43	SII
	453,050,140.03	NON SII
B6	900,800,490.01	Keps Nut, #6 - 32
A20	900,201,220.11	Screw, Machine Phil Pan #8 - 32 x 3/4"
B7	900,800,510.01	Elastic Stop Nut #8 - 32
A4	900,301,500.01	Screw, Phil Pan w/out washer #8 - 18 x 1/2"
A9	900,301,560.11	Screw, Phil Pan Swage Form #8 - 32 x 3/8"
D1	900,400,430.01	T-Bolt #8 - 32 x 1"
B3	900,800,500.01	Keps Nut #8 - 32
A10	900,201,310.01	Screw, Machine #6 - 32 x 1 1/4"
A6	900,300,470.01	Screw, Vend Motor #4 x 3/4"



# Dr Pepper (D3)

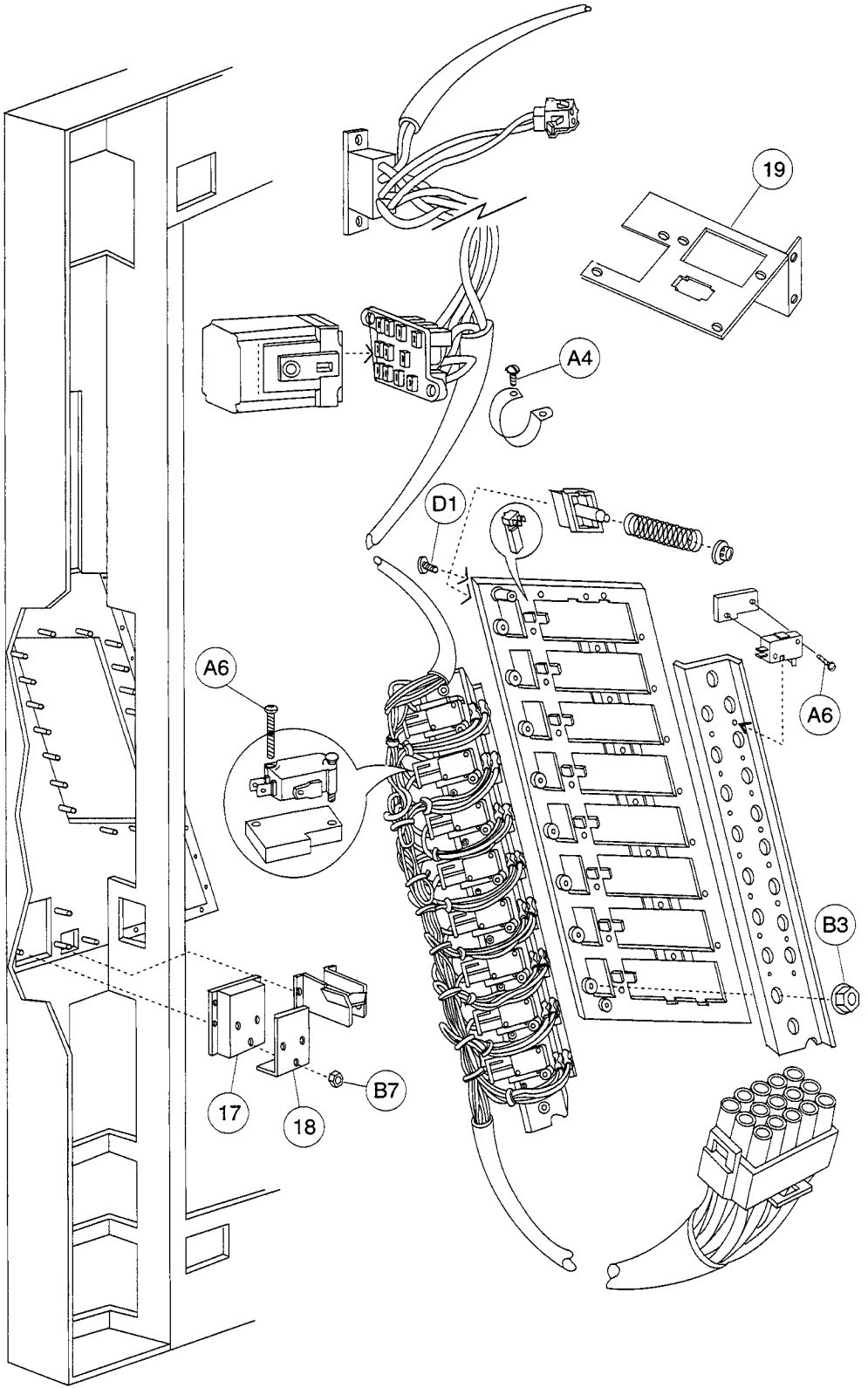


**Dr Pepper (D3)**

Item	Part Number	Part Name And Description By Model Number
1		Select Panel Assembly
	453,050,300.13	368/440/501/600 NON SII (8 Select)
	461,050,200.13	348/414 NON SII (10 Select)
	456,050,200.13	276 NON SII (6 Select)
	459,050,200.03	180 NON SII (5 Select)
	454,150,600.03	368/440/501/600 SII (8 Select)
	461,150,500.03	348/414 SII (10 Select)
	456,150,800.03	276 SII (6 Select)
2		Select Panel
	801,805,850.01	368/440/501/600 (8 Select)
	801,805,880.01	348/414 (10 Select)
	801,805,890.01	276 (6 Select)
	801,805,900.01	180 (5 Select)
3		Door Harness
	See Wiring Harness Section	All Models
4		15-Way Plug (Amp 1-480710-0)
	904,600,830.01	All Models
5a		Socket, Relay (93-153-1)
	904,600,620.01	All Models
5b		Socket, Coin Changer (8 Pin Jones) (1-480-289-0)
	904,600,600.01	All Models
6		Vend Relay (Single Price Only) (9320166623200ARB)
	804,200,170.11	All Models
7		1" Clamp, Heyco (3390)
	901,901,890.01	All Models
8a		Select Button
	801,805,910.31	All Models
8b		Select Button Spring
	901,700,720.21	All Models
9a		Select Switch Bar Assembly
	453,050,500.03	NON SII (8 Select)
	454,150,700.03	SII (8 Select)
	461,050,400.03	NON SII (10 Select)
	461,150,600.03	SII (10 Select)
	456,050,600.03	NON SII (6 Select)
	456,150,900.03	SII (6 Select)
	459,050,600.03	NON SII (5 Select)
9b		Select Switch Bar
	453,050,030.13	8 Select
	461,050,020.03	10 Select
	456,050,030.13	6 Select
	459,050,010.03	5 Select
9c		Nylet
	902,000,580.01	All Models
9d		Switch Insuiator
	801,805,920.31	All Models
9e		Select Switch
	804,100,710.21	NON SII
	804,100,740.21	SII
9f		Sold Out Lamp
	804,700,510.01	NON SII & VRV NON SII
	804,700,570.01	SII & NON VRV SII (production run 6156 & Up)
	804,700,520.01	NON VRV SII (prior to 6156)
9g		Card Retainer
	801,806,040.11	All Models
10		Flavor Cards
	Indicate Flavor	All Models
11		2-Way Cap (1-480-699-0)
	904,600,700.01	All Models
12a		Assembly, Change Cup
	453,050,200.03	All Models
13		Crown Puller Cover Plate
	360,010,180.13	All Models

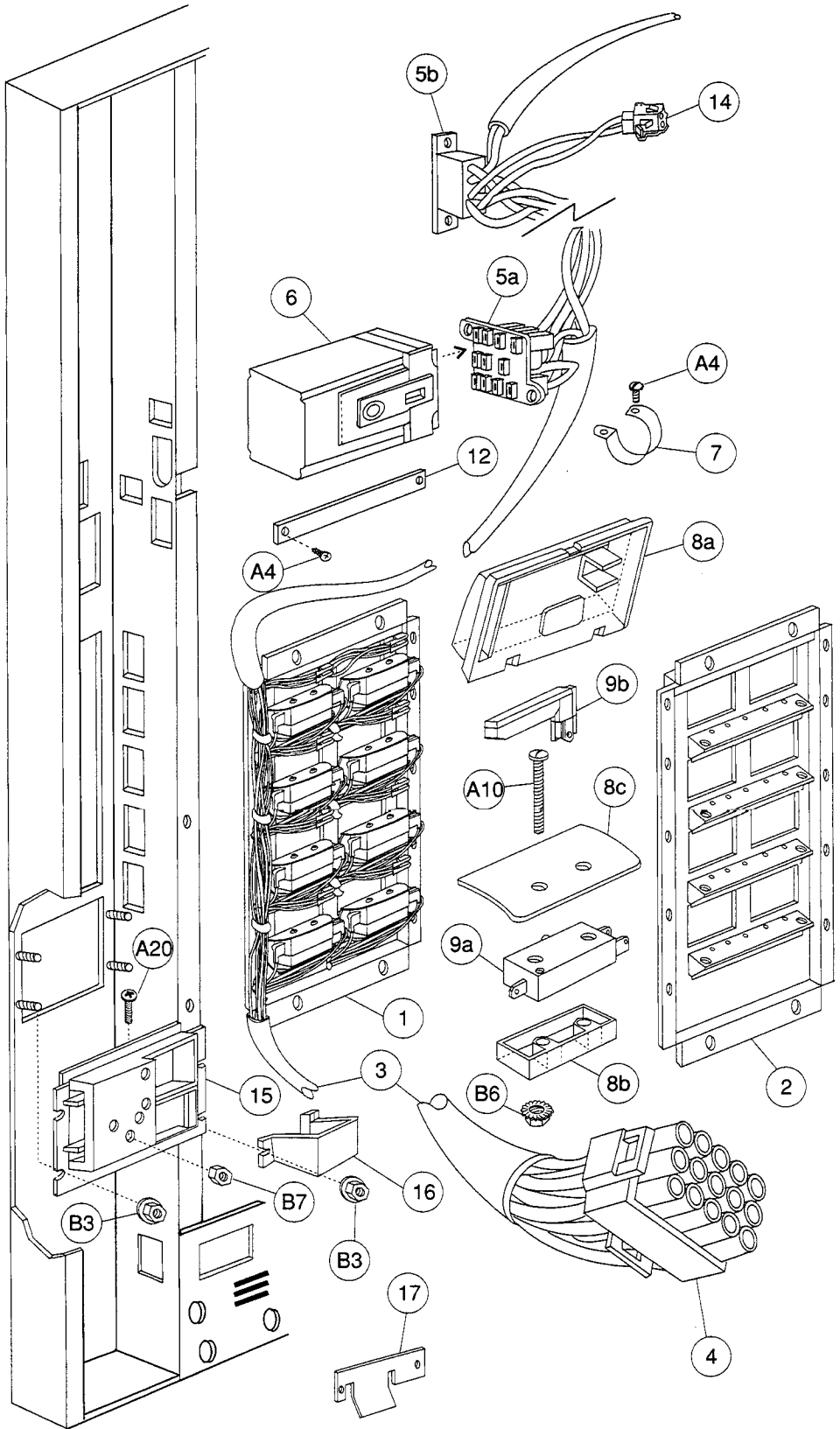
Continued next page

# Dr Pepper (D3)





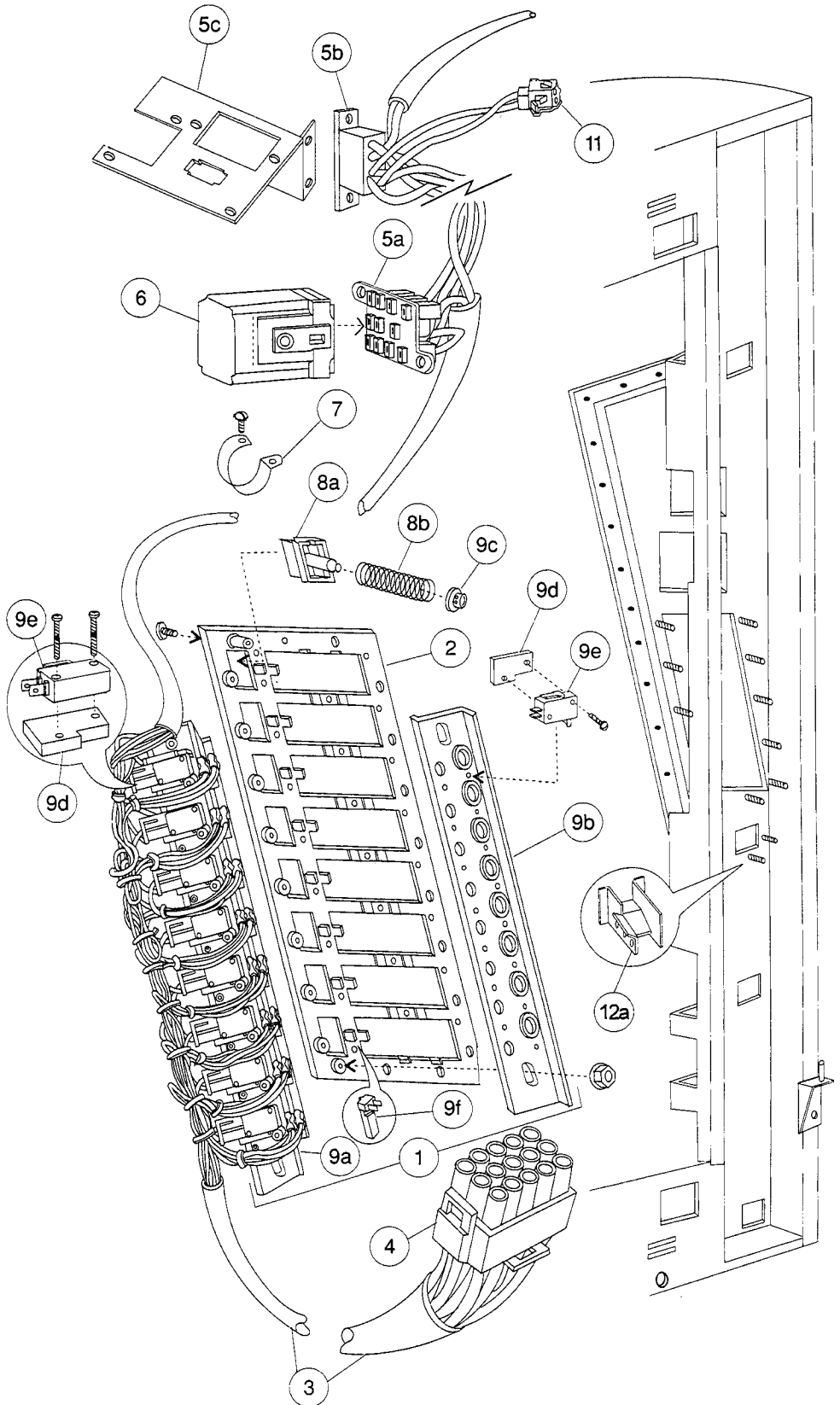
Generic Round



## Generic Round

Item	Part Number	Part Name And Description By Model Number
1		Select Panel Assembly
	469,050,900.03	368/440/501/600 NON SII & MPC (8QB)
	565,151,600.03	368/440/501/600 SII (8QB)
	537,050,200.03	432 NON SII & NON MPC (6QB)
	565,152,600.03	360 SII (6QB)
	477,050,300.03	360 NON SII (6QB)
	471,050,200.03	348/414 (10QB)
	565,150,900.03	348 SII (10QB)
2		Select Panel
	469,050,500.13	368/440/501/600 (8QB) Select Panel Front
	477,050,400.13	360/432 (6QB) Select Panel Front
	471,050,300.13	348/414/ (10QB) Select Panel Front
3		Door Harness
	See Wiring Harness Section	All Models
4		15-Way Plug (Amp 1-480710-0)
	904,600,830.01	All Models
5a		Socket, Relay (93-153-1)
	904,600,620.01	All Models
5b		Socket, Coin Changer (8 Pin Jones) (1-480-289-0)
	904,600,600.01	All Models
6		Vend Relay (Single Price Only) (9320166623200ARB)
	804,200,170.11	All Models
7		1" Clamp, Heyco 3390
	901,901,890.01	All Models
8a		Select Button
	801,804,510.11	All Models
8b		Select Button Stop
	801,804,540.41	All Models
8c		Insulator, Switch Shield & Spring, Mylar
	801,804,620.31	All Models
9a		Select Switch
	804,100,510.21	NON SII
	804,100,760.11	SII
9b		Sold Out Lamp
	804,700,510.01	NON SII & VRV NON SII
	804,700,570.01	SII & NON VRV SII (Production Run 6156 and higher)
	804,700,520.01	NON VRV SII (Prior to 6156)
10		Flavor Cards
	Indicate Flavor	All Models
11		Bracket, Relay/Changer Socket (NON MPC/NON SII)
	453,050,160.53	All Models
12		Door Strap
	523,050,110.13	MPC
	572,050,130.43	SII
	453,050,140.03	360/368/501 NON MPC & NON SII
13		Door Switch
	804,100,770.21	SII
	804,100,640.01	MPC
14		2 Way Cap (1-480-699-0)
	904,600,700.01	All Models
15		Change Cup & Opener Bezel
	801,805,610.41	All Models
16		Change Cup
	801,805,530.61	All Models
17		Opener Housing Reinforcement Plate
	399,050,270.13	All Models
A20	900,201,220.11	Screw, Machine Phil Pan #8 - 32 x 3/4"
B7	900,800,510.01	Elastic Stop Nut #8 - 32
A4	900,301,500.01	Screw, Phil Pan w/out washer #8 - 18 x 1/2"
B6	900,800,490.01	Keps Nut, #6 - 32
D1	900,400,430.01	T-Bolt #8 - 32 x 1"
B3	900,800,500.01	Keps Nut #8 - 32
A10	900,201,310.01	Screw, Machine #6 - 32 x 1 1/4"
A6	900,300,470.01	Screw, Vend Motor #4 x 3/4"

7Up (B7)



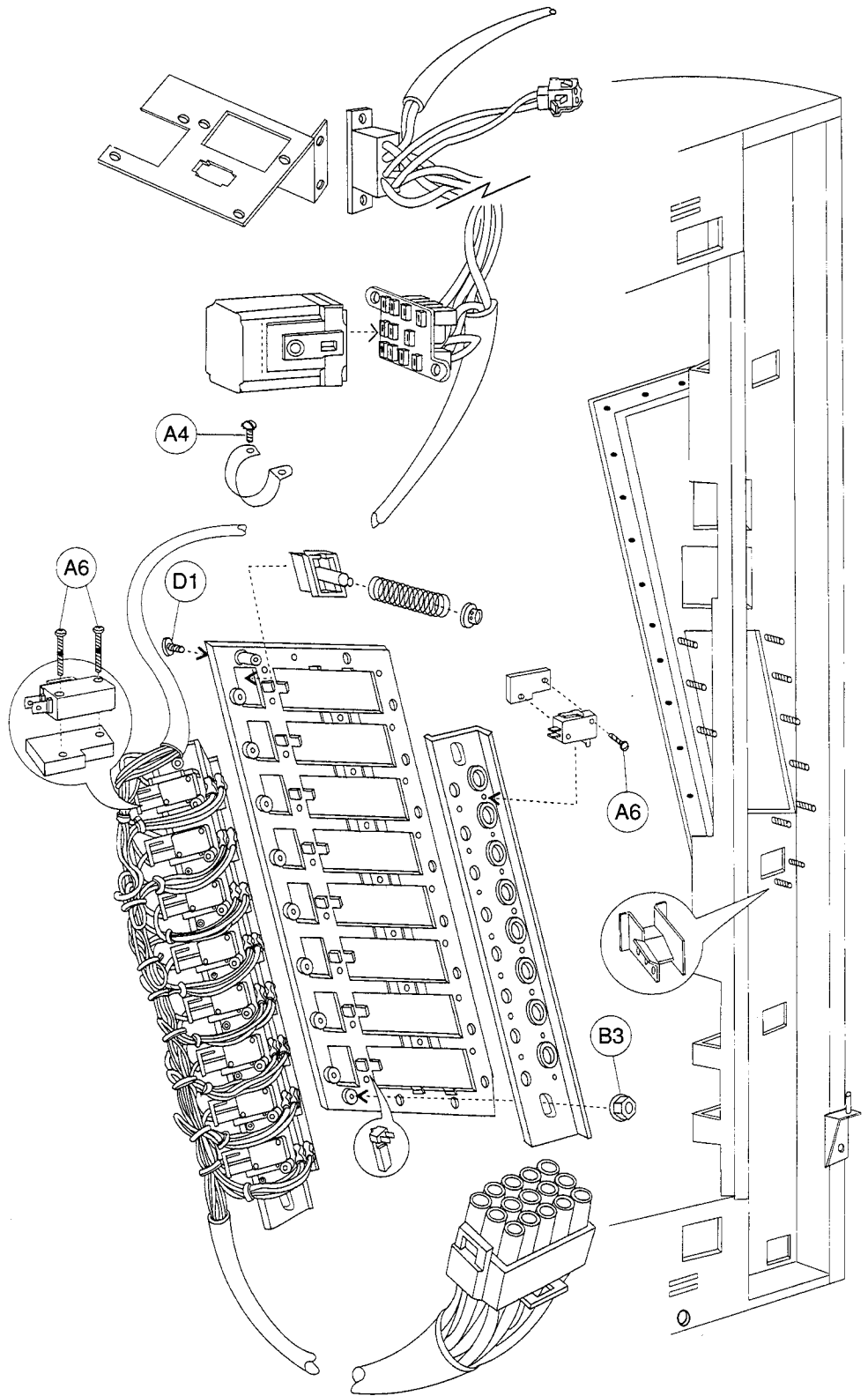
7Up (B7)

Item	Part Number	Part Name And Description By Model Number
1		Select Panel Assembly
	455,050,500.13	368/440/501/600 NON SII (8 Select)
	468,050,200.03	276/432 NON SII (6 Select)
	466,050,200.03	348/414 NON SII (10 Select)
	581,050,100.03	414 SII (10 Select)
	581,050,400.13	368 SII (8 Select)
2		Select Panel
	801,805,970.01	368/440/501/600 (8 Select)
	801,805,980.01	432 (6 Select)
	801,805,960.01	414 (10 Select)
3		Door Harness
	See Wiring Harness Section	All Models
4		15-Way Plug (AMP 1-480710-0)
	904,600,830.01	All Models
5a		Socket, Relay (93-153-1)
	904,600,620.01	All Models
5b		Socket, Coin Changer (8 Pin Jones) (1-480-289-0)
	904,600,600.01	All Models
5c		Changer/Relay Socket Bracket
	453,050,160.53	All Models
6		Vend Relay (Single Price Only) (9320166623200ARB)
	804,200,170.11	All Models
7		1" Clamp, Heyco 3390
	901,901,890.01	All Models
8a		Select Button
	801,805,950.41	All Models
8b		Select Button Spring
	901,700,720.21	All Models
9a		Select Switch Bar Assembly
	455,051,300.03	NON SII (8 Select)
	581,050,500.03	SII (8 Select)
	466,050,300.03	NON SII (10 Select)
	581,050,200.03	SII (10 Select)
	472,050,300.03	NON SII (6 Select)
9b		Select Switch Bar
	455,050,130.03	8 Select
	466,050,020.03	10 Select
	472,050,020.03	6 Select
9c		Nylet
	902,000,580.01	All Models
9d		Switch Insulator
	801,805,920.31	All Models
9e		Select Switch
	804,100,710.21	NON SII
	804,100,740.21	SII
9f		Sold Out Lamp
	804,700,210.21	NON SII
	804,700,520.01	SII
9g		Card Retainer
	801,806,070.21	All Models
10		Flavor Cards
	Indicate Flavor	All Models
11		2-Way Cap
	904,600,700.01	All Models
12a		Assembly, Change Cup
	455,050,200.03	All Models
12b		Change Cup Funnel
	455,010,070.03	All Models
13		Crown Puller Cover Plate
	360,010,180.13	All Models
14		Crown Puller
	901,000,190.01	All Models

Continued next page



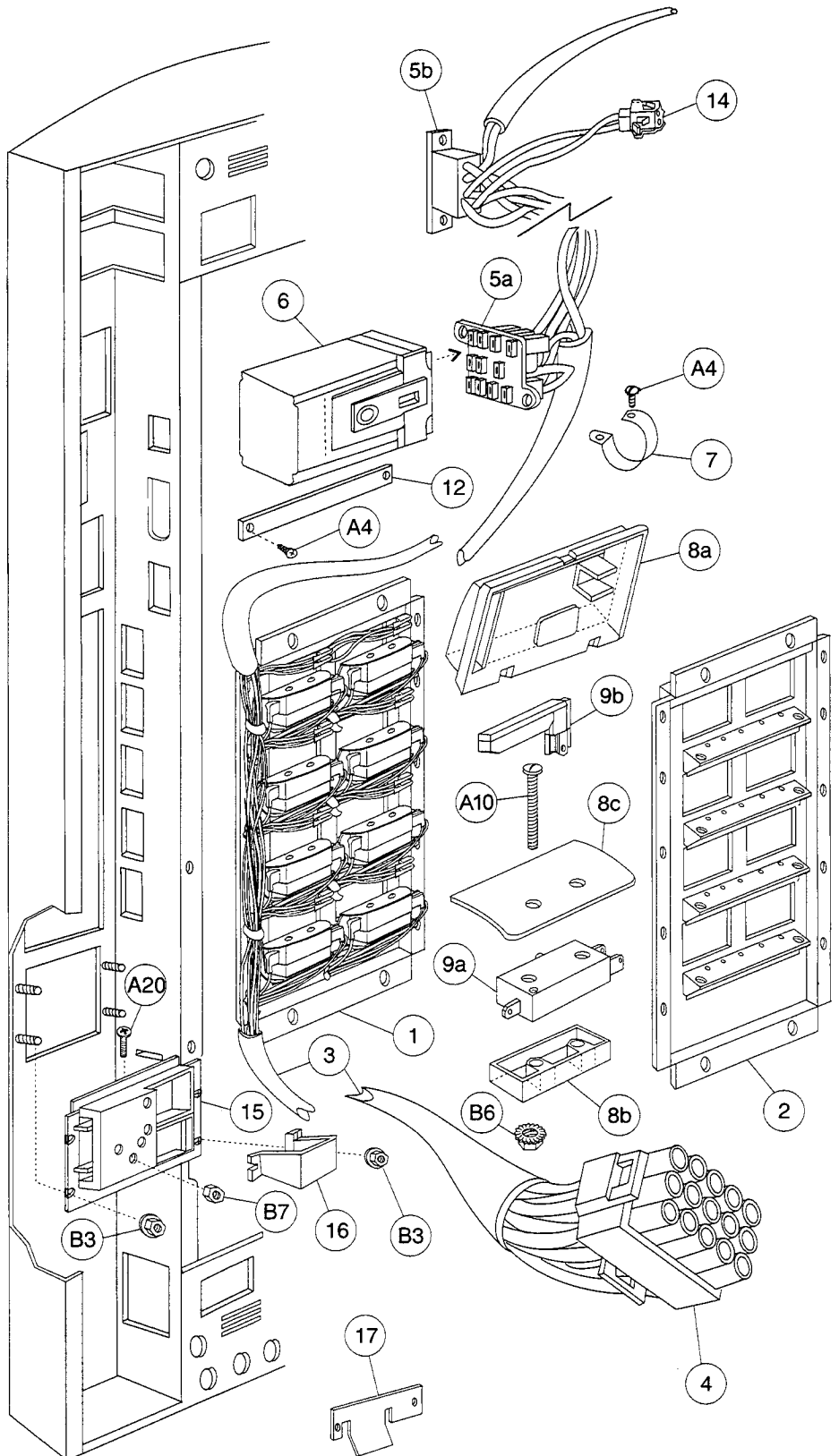
7Up (B7)





# Select Panel

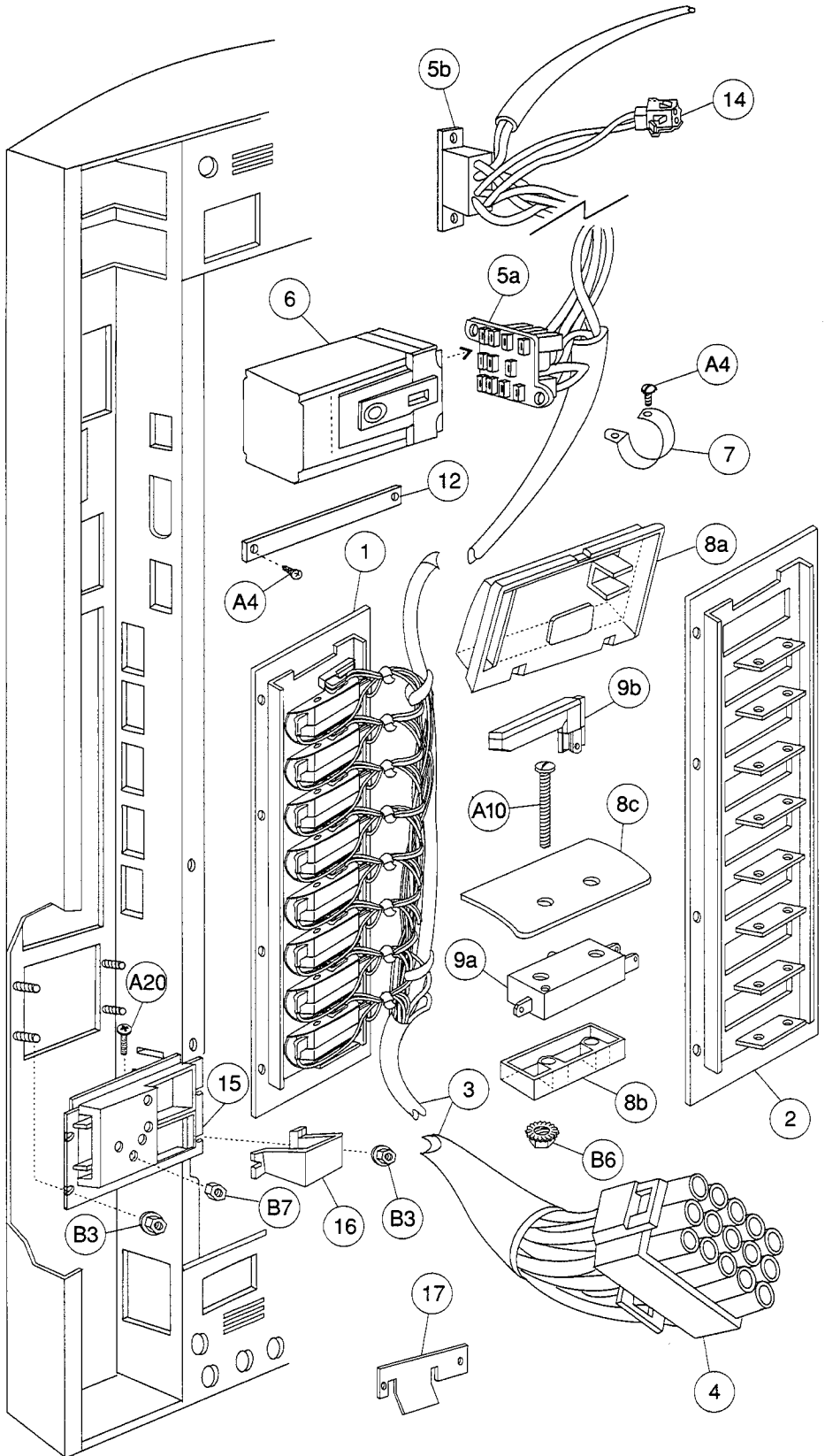
Veryfine Circular (0001-3194C0 to 0001-6169AS)



**Veryfine Circular (0001-3194CO to 0001-6169AS)**

Item	Part Number	Part Name And Description By Model Number
1		Select Panel Assembly
	515,050,800.03	368/501 MPC & NON SII (8 Select)
	583,050,100.03	368/501 SII (8 Select)
	580,050,000.03	360 NON SII (6 Select)
2		Select Panel
	515,050,900.03	368/501 Select Panel Front Assembly
	580,050,100.03	360 Select Panel Front Assembly
3		Door Harness
	See Wiring Harness Section	All Models
4		15-Way Plug (Amp 1-480710-0)
	904,600,830.01	All Models
5a		Socket, Relay (93-153-1)
	904,600,620.01	All Models
5b		Socket, Coin Changer (8 Pin Jones) (1-480-289-0)
	904,600,600.01	All Models
6		Vend Relay (Single Price Only) (9320166623200ARB)
	804,200,170.11	All Models
7		1" Clamp, Heyco 3390
	901,901,890.01	All Models
8a		Select Button Assembly
	801,806,760.11	All Models
8b		Select Button Stop
	801,804,540.41	All Models
8c		Insulator, Switch Shield & Spring, Mylar
	801,804,620.31	All Models
9a		Select Switch
	804,100,510.21	NON SII
	804,100,760.11	SII
9b		Sold Out Lamp
	804,700,510.01	NON SII & VRV NON SII
	804,700,570.01	SII & NON VRV SII (Production Run 6156 and higher)
	804,700,520.01	NON VRV SII (Prior to 6156)
10		Flavor Cards
	Indicate Flavor	All Models
11		Bracket, Relay/Changer Socket (NON MPC/NON SII)
	453,050,160.53	All Models
12		Door Strap
	523,050,110.13	MPC
	572,050,130.43	SII
	453,050,140.03	360/368/501 NON MPC & NON SII
13		Door Switch
	804,100,770.21	SII
	804,100,640.01	MPC
14		2 Way Cap (1-480-699-0)
	904,600,700.01	All Models
15		Change Cup & Opener Bezel
	801,805,610.41	All Models
16		Change Cup
	801,805,530.61	All Models
17		Opener Housing Reinforcement Plate
	399,050,270.13	All Models
B6	900,800,490.01	Keps Nut, #6 - 32
A20	900,201,220.11	Screw, Machine Phil Pan #8 - 32 x 3/4"
B7	900,800,510.01	Elastic Stop Nut #8 - 32
A4	900,301,500.01	Screw, Phil Pan w/out washer #8 - 18 x 1/2"
A9	900,301,560.11	Screw, Phil Pan Swage Form #8 - 32 x 3/8"
D1	900,400,430.01	T-Bolt #8 - 32 x 1"
B3	900,800,500.01	Keps Nut #8 - 32
A10	900,201,310.01	Screw, Machine #6 - 32 x 1 1/4"
A6	900,300,470.01	Screw, Vend Motor #4 x 3/4"

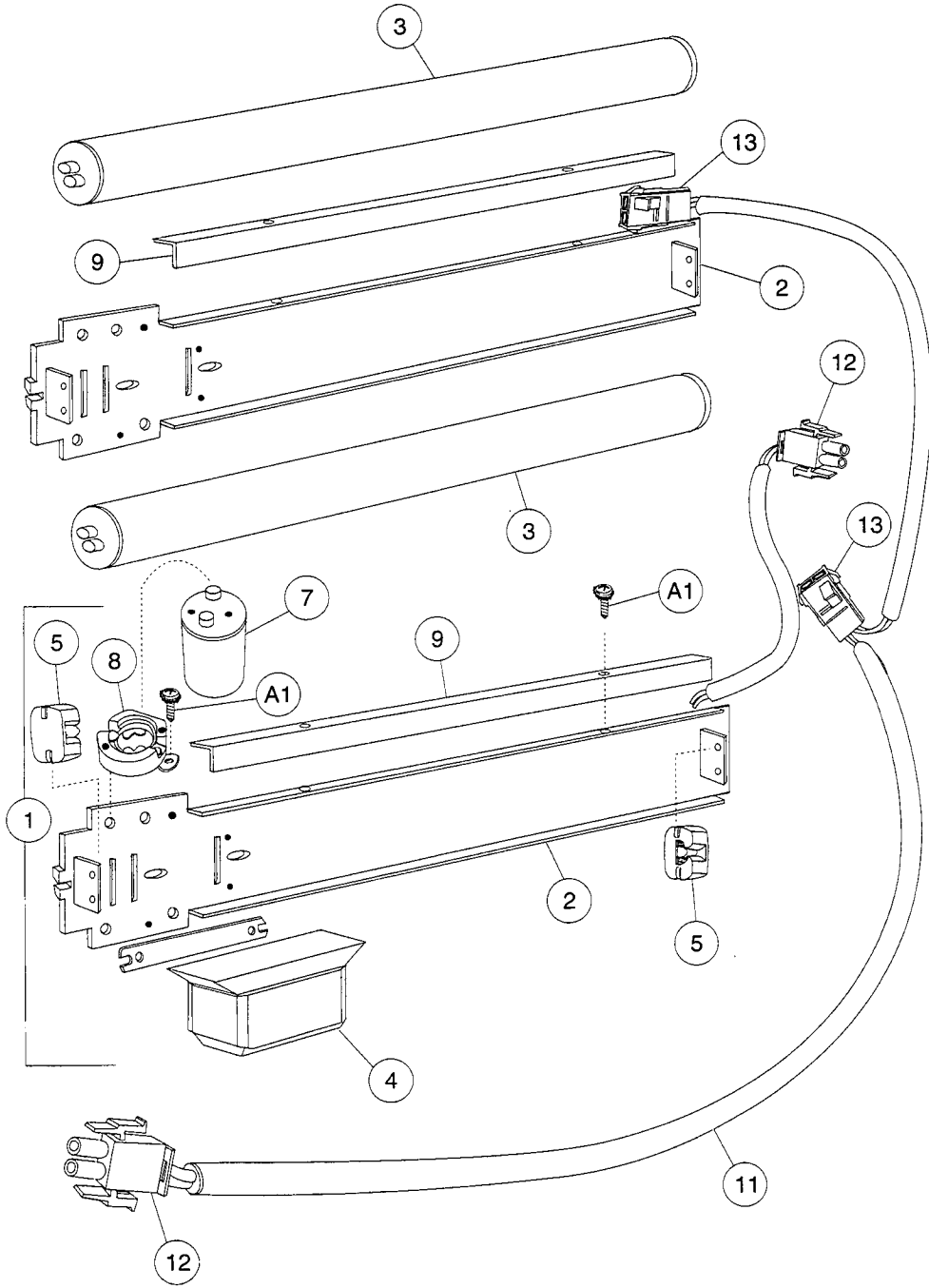
Veryfine/RC Inverted " L" Circular



## Veryfine/RC Inverted " L" Circular

Item	Part Number	Part Name And Description By Model Number
1		Select Panel Assembly
	480,050,300.03	368/440/501 NON SII (8QB)
	572,052,400.03	368/440/501 SII (8QB)
	565,150,600.03	522 SII (6QB)
	479,050,600.03	414 (10QB)
2		Select Panel
	480,050,200.33	368/440/501 (8QB) weld assembly Front Control Panel
	488,050,200.23	522 (6QB) weld assembly Front Control Panel
	479,050,500.03	414 (10QB) weld assembly Select Panel
3		Door Harness
	See Wiring Harness Section	All Models
4		15-Way Plug (Amp 1-480710-0)
	904,600,830.01	All Models
5a		Socket, Relay (93-153-1)
	904,600,620.01	All Models
5b		Socket, Coin Changer (8 Pin Jones) (1-480-289-0)
	904,600,600.01	All Models
6		Vend Relay (Single Price Only) (9320166623200A)
	804,200,170.11	All Models
7		1" Clamp, Heyco 3390
	901,901,890.01	All Models
8a		Select Button
	801,805,110.01	All Models
8b		Select Button Stop
	801,804,540.41	All Models
8c		Insulator, Switch Shield & Spring, Mylar
	801,804,620.31	All Models
9a		Select Switch
	804,100,510.21	NON SII
	804,100,760.11	SII
9b		Sold Out Lamp
	804,700,510.01	NON SII & VRV NON SII
	804,700,570.01	SII & NON VRV SII (Production Run 6156 and higher)
	804,700,520.01	NON VRV SII (Prior to 6156)
10		Flavor Cards
	Indicate Flavor	All Models
11a		Bracket, Relay/Changer Socket (NON MPC/NON SII)
	453,050,160.53	All Models
11b		Bracket, 15 Pin Cinch J Plug
	524,050,140.23	All Models
12		Door Strap
	572,050,130.43	SII
	453,050,140.03	NON SII
13		Door Switch
	804,100,770.21	SII - All Models
14		2 Way Cap (1-480-699-0)
	904,600,700.01	All Models
15		Change Cup & Opener Bezel
	801,805,610.41	All Models
16		Change Cup
	801,805,530.61	All Models
17		Opener Housing Reinforcement Plate
	399,050,270.13	All Models
B6	900,800,490.01	Keps Nut, #6 - 32
A20	900,201,220.11	Screw, Machine Phil Pan #8 - 32 x 3/4"
B7	900,800,510.01	Elastic Stop Nut #8 - 32
A4	900,301,500.01	Screw, Phil Pan w/out washer #8 - 18 x 1/2"
A9	900,301,560.11	Screw, Phil Pan Swage Form #8 - 32 x 3/8"
D1	900,400,430.01	T-Bolt #8 - 32 x 1"
B3	900,800,500.01	Keps Nut #8 - 32
A10	900,201,310.01	Screw, Machine #6 - 32 x 1 1/4"
A6	900,300,470.01	Screw, Vend Motor #4 x 3/4"

Can Display



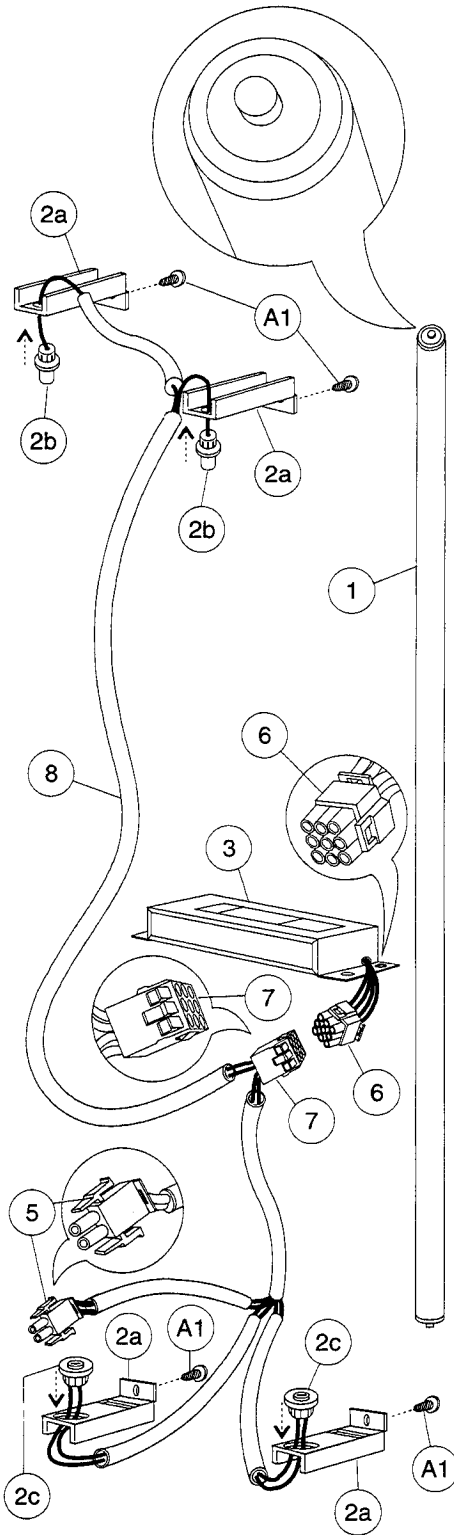




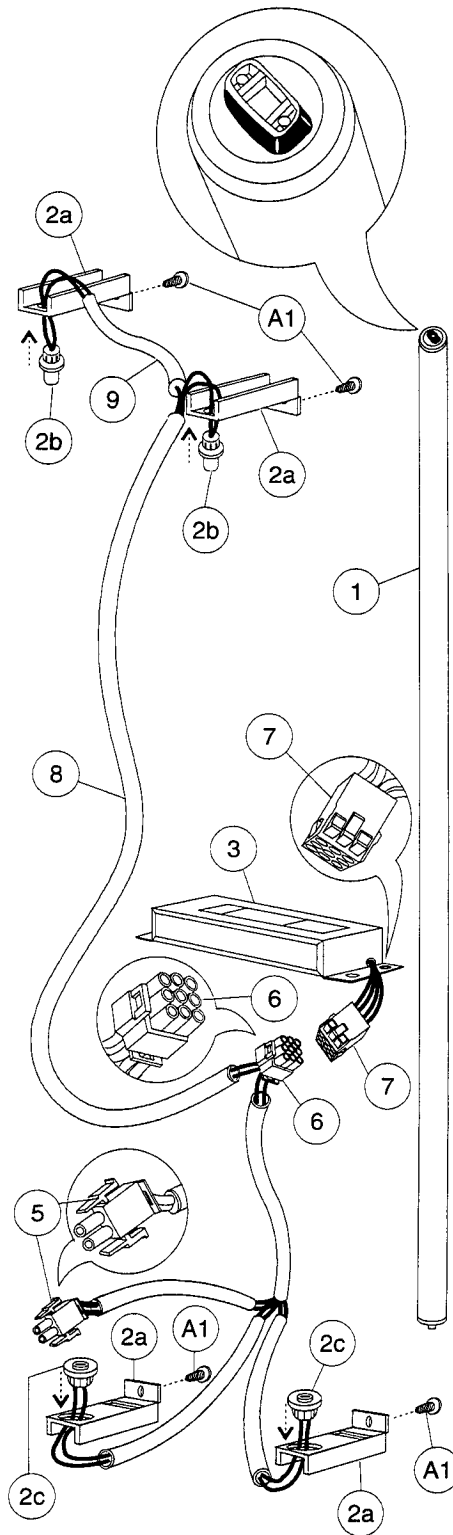
# Lighting

Cold Drink FLS, Dr Pepper (D3), Generic Round, 7Up (B7), Veryfine/RC Inverted "L" Circular

## SLIMLINE



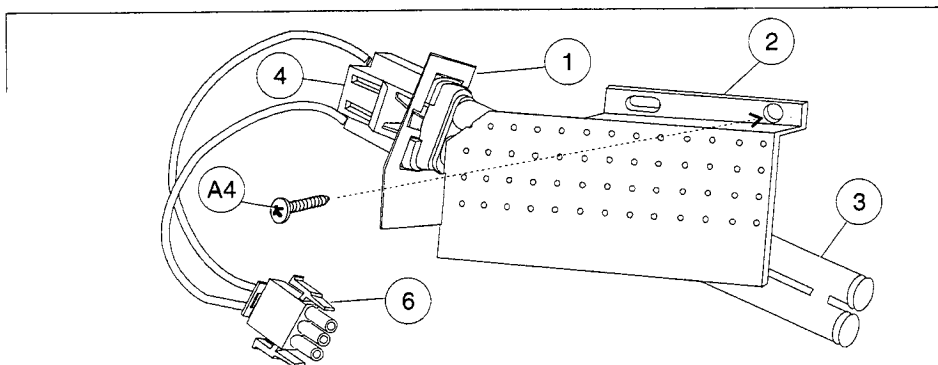
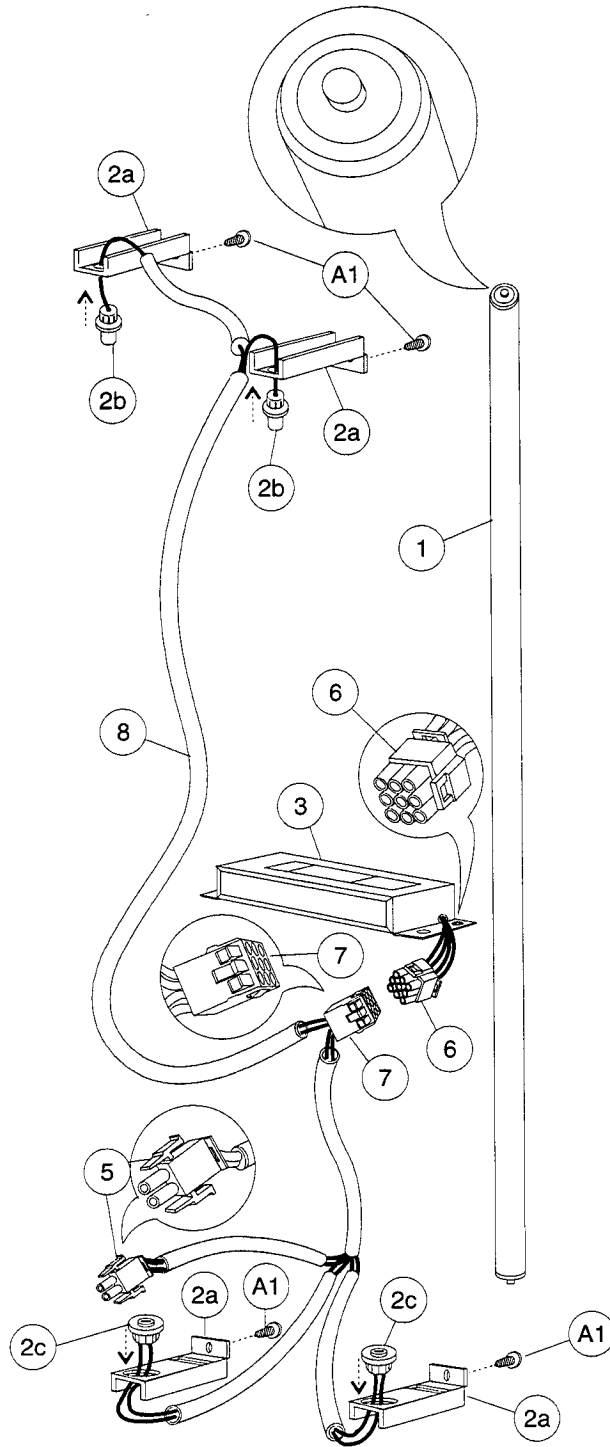
## HIGH OUTPUT



**Cold Drink FLS, Dr Pepper (D3), Generic Round, 7Up (B7), Veryfine/RC Inverted "L" Circular**

Item	Part Number	Part Name And Description By Model Number
<b>SLIMLINE LIGHTING</b>		
1		Fluorescent Bulb
	804,700,310.01	F72T12/DAYLT - 414/432/440/600 56 Watts
	804,700,300.01	F64T12/DAYLT - 276/348/360/368/501 51 Watts
	804,700,330.01	F48 Slimline - 168/180 39 Watts
2a		Door Bracket Lamp Socket
	432,050,380.73	7UP B7, Dr. Pepper D3, Generic Round, Veryfine/RC Inverted "L"
	562,050,040.03	Cold Drink FLS Only
2b		Top Lamp Holders Slimline
	804,902,020.01	Slimline - 516 All Models
2c		Bottom Lamp Holders
	804,902,030.01	Slimline - 517 All Models
3		Plug-In Ballast
	804,400,370.31	Advance Slimline SM2E57 - 276/348/368/414/432/440/501/600
	804,400,390.11	Advance Slimline SM2E40 - 168/180
4		Connector, Electrical (scotchlock 557)
	904,800,520.01	All Models
5		Two Way Plug (1-480-698-0)
	904,600,710.01	All Models
6		Nine Way Plug (1-480-706-0)
	904,600,670.01	All Models
7		Nine Way Cap (1-480-707-0)
	904,600,660.01	All Models
8		Lead, Slimline Output Light Harness (Plug-in ballast)
	804,909,490.01	All Models
<b>HIGH OUTPUT LIGHTING</b>		
1		Fluorescent Bulb
	804,700,360.01	F72T12/D/HO - 414/432/440/600 85 Watts
	804,700,370.01	F64T12/D/HO - 276/348/360/368/501 80 Watts
	804,700,390.01	F48T HO - 168/180 60 Watts
2a		Door Bracket Lamp Socket
	432,050,380.73	7UP B7, Dr. Pepper D3, Generic Round, Veryfine/RC Inverted "L"
	562,050,040.03	Cold Drink FLS Only
2b		Top Lamp Holders
	804,901,990.01	High Output - 523 All Models
2c		Bottom Lamp Holders
	804,902,000.01	High Output - 524 All Models
3		Plug-In Ballast Advance #VSM/HO
	804,400,380.11	All Models
4		Connector, Electrical (scotchlock 557)
	904,800,520.01	All Models
5		Two Way Plug (1-480-698-0)
	904,600,710.01	All Models
6		Nine Way Plug (1-480-706-0)
	904,600,670.01	All Models
7		Nine Way Cap (1-480-707-0)
	904,600,660.01	All Models
8		Lead, High Output Light Harness (Plug-in ballast)
	804,909,480.01	All Models
9		Lamp Fixture Jumper, High OutPut (602830)
	804,904,920.21	All Models
10		Fluorescent Bulb
	804,700,350.01	B7 276 only F13T8CW 13 Watts
A1	900,301,700.11	Screw, Phil Pan Swage Form #6-32 x3/8"

Veryfine Circular (0001-3194CO to 0001-6169AS)





## Can Display, Cold Drink FLS, Generic Round

Item	Part Number	Part Name And Description By Model Number
1a		Cabinet Harness 501/600 (8 select)
	804,902,400.91	Single Price
	804,904,240.81	Two/Four Price
	804,904,750.61	MPC
	804,906,370.31	SII
1b		Cabinet Harness 368/440 (8 select)
	804,902,360.91	Single Price
	804,904,190.61	Two/Four Price
	804,904,770.71	MPC
	804,906,380.31	SII
1c		Cabinet Harness 360 (6 select)
	804,902,410.91	Single Price
	804,904,200.51	Two/Four Price
	804,907,100.31	SII
1d		Cabinet Harness 348 (10 select)
	804,902,380.71	Single Price
	804,904,270.51	Two/Four Price
	804,906,390.21	SII
1e		Cabinet Harness 276 (6 select)
	804,902,430.71	Single Price
	804,904,230.71	Two/Four Price
	804,906,410.31	SII
1f		Cabinet Harness 180/300 (5 select)
	804,902,420.81	Single Price
	804,904,210.51	Two/Four Price
	804,907,030.21	SII
1g		SII Cabinet Harness, Extension
	804,907,870.21	180
	804,906,470.31	276/300/348/368/440/501/600
2a		Door Harness 368/440/501/600 (8 select)
	804,903,810.11	Single Price
	804,903,870.11	Two Price
	804,904,040.21	Four Price
	804,904,790.71	MPC
	804,907,990.11	SII
2b		Door Harness 360/276 (6 select)
	804,903,800.11	Single Price
	804,903,860.11	Two Price
	804,904,030.21	Four Price
	804,907,980.01	SII
2c		Door Harness 348 (10 Select)
	804,903,820.11	Single Price
	804,903,880.21	Two Price
	804,904,050.21	Four Price
	804,908,000.11	SII
2d		Door Harness 180/300 (5 select)
	804,903,830.21	Single Price
	804,903,890.11	Two Price
	804,904,060.21	Four Price
	804,907,970.01	SII
2e		SII Motor Extension Harness
	804,906,340.11	62" - 180
	804,907,880.21	90" - 368/501
2g		Motor Harness SII
	804,906,500.21	501
	804,906,490.31	368
	804,907,090.31	360
	804,906,480.11	348
	804,906,510.21	276
	804,907,170.01	180







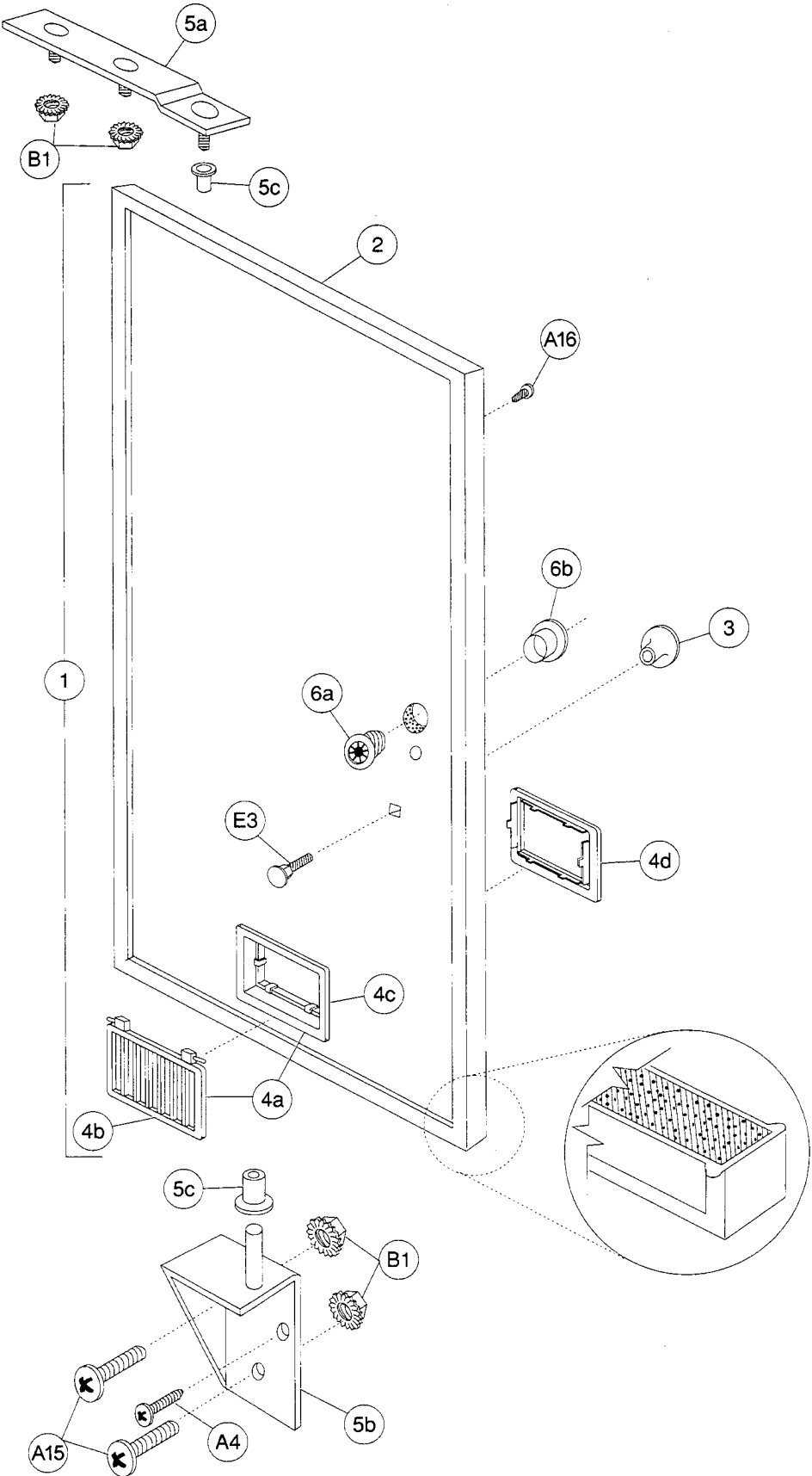






**Inner Door**

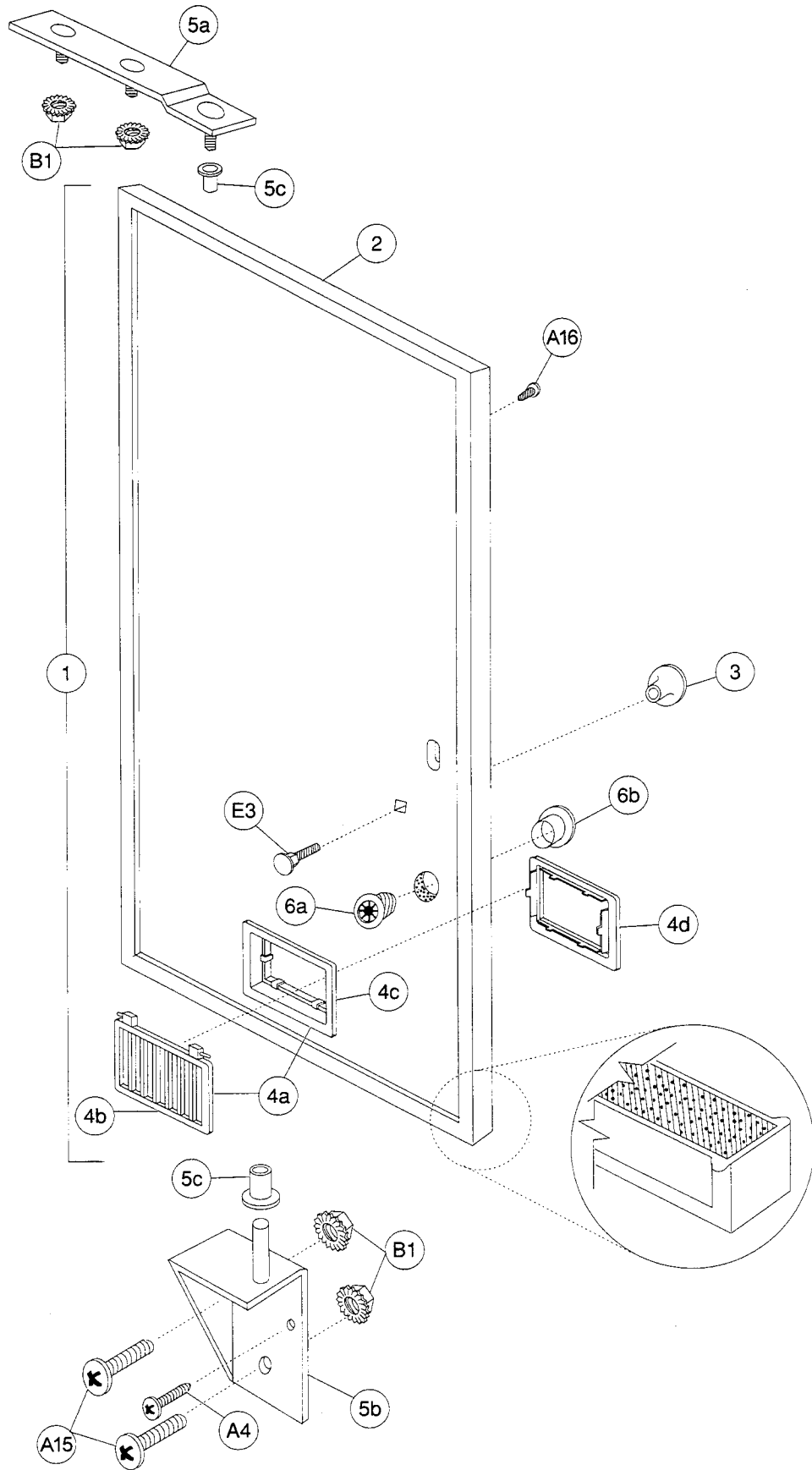
Can Display, Cold Drink FLS, Dr Pepper (D3), Generic Round, Veryfine Circular(0001-3194C0 to 0001-6169A5), Veryfine/RC Inverted "L" Circular





# Inner Door

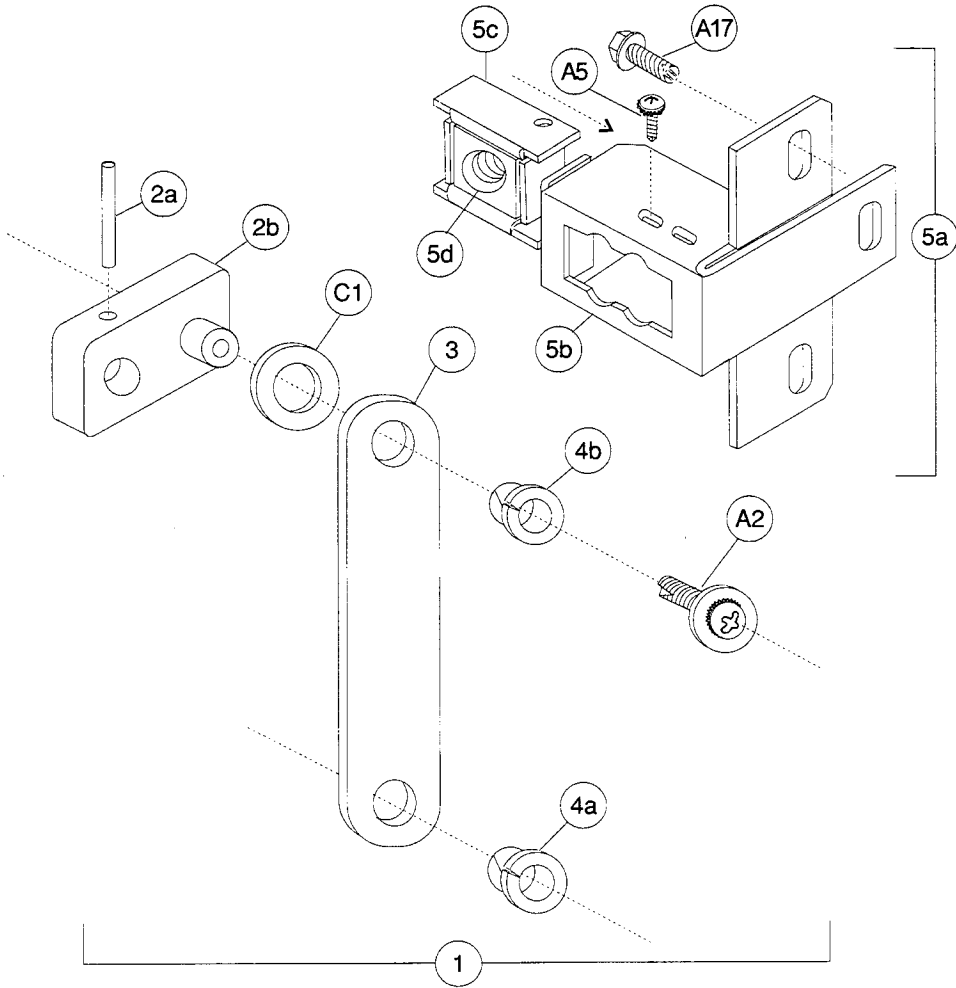
## 7Up (B7)





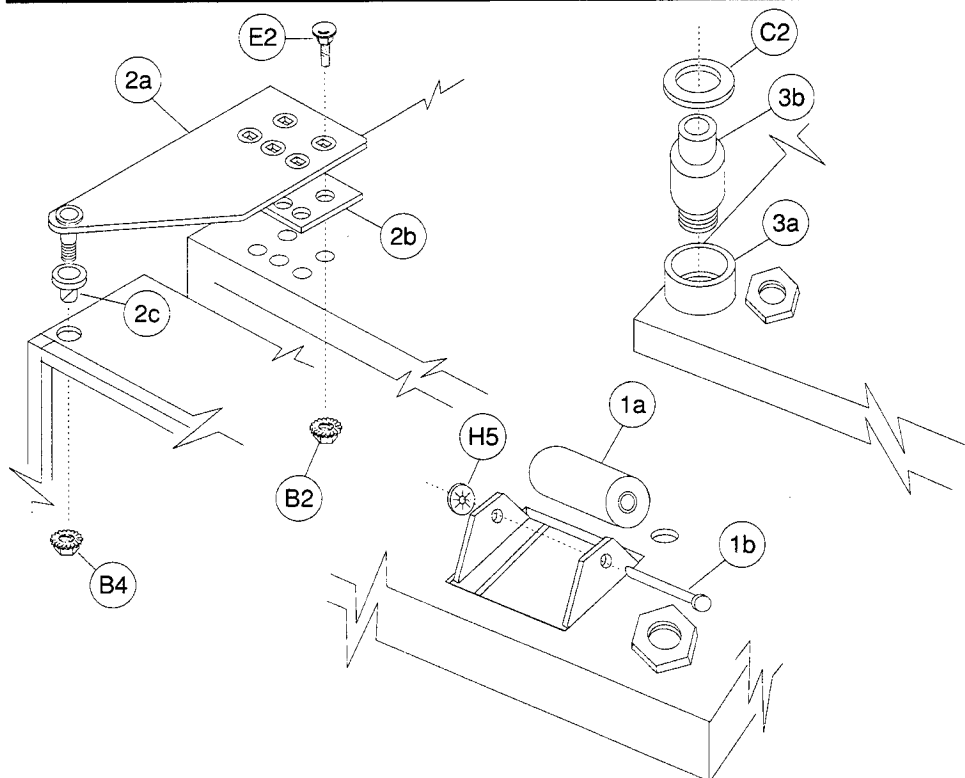
## Two-Bar Linkage & Nut Retainer Housing

Can Display, Cold Drink FLS, Dr Pepper (D3), Generic Round, 7Up (B7),  
Veryfine Circular(0001-3194CO to 0001-6169AS), Veryfine/RC Inverted "L" Circular



## Hinges & Roller Assembly

Can Display, Cold Drink FLS, Dr Pepper (D3), Generic Round, 7Up (B7),  
Veryfine Circular(0001-3194CO to 0001-6169AS), Veryfine/RC Inverted "L" Circular



## Parts List - Two-Bar Linkage & Nut Retainer Housing **Dixie-Narco**

**Can Display, Cold Drink FLS, Dr Pepper (D3), Generic Round, 7Up (B7),  
Veryfine Circular(0001-3194C0 to 0001-6169AS), Veryfine/RC Inverted "L" Circular**

Item	Part Number	Part Name And Description By Model Number
1		Linkage & Drive Arm Assembly
	491,070,500.03	All Models
2a		Groove Pin, 1/8 x 1 3/16 (30mm) - T2
	900,901,940.21	All Models
2b		Drive Arm
	801,200,950.81	All Models
3		Linkage Arm
	801,201,030.11	All Models - Zinc
4a		Nyliner, Top
	901,803,170.01	All Models
4b		Nyliner, Bottom
	901,804,770.01	All Models
5a		Traditional Nut Retainer Housing Assembly
	432,052,500.04	All Models
5b		Traditional Nut Retainer Housing
	432,050,730.23	All Models
5c		Cage Nut Traditional
	801,303,850.21	All Models
5d		Square Nut, 1/2-13 N.C.
	900,800,570.11	All Models
6a		Star Lock Nut Retainer Housing Assembly
	432,052,600.04	All Models
6b		Star Lock Nut Retainer Housing
	432,050,740.33	All Models
6c		Cage Nut Star Lock
	432,050,760.03	All Models
6d		Latch Housing Star Lock
	801,505,510.01	All Models
A11	900,301,960.11	Screw, Phil Pan Sems, #8-32 x 1/4"
C1	900,700,600.01	Flat Washer, Delrin .040
A2	900,301,640.21	Screw, Phil Pan Swage Form, #8-32 x 1/2"
A17	900,302,010.01	Screw, Type F, #1/4-20 x 5/8"
A5	900,301,970.11	Screw, Phil Pan Swage Form, #8-32 x 1/4"

## Hinges & Roller Assembly

**Dixie-Narco**

**Can Display, Cold Drink FLS, Dr Pepper (D3), Generic Round, 7Up (B7),  
Veryfine Circular(0001-3194C0 to 0001-6169AS), Veryfine/RC Inverted "L" Circular**

Item	Part Number	Part Name And Description By Model Number
1a		Roller, Main Door
	901,806,200.21	All Models
1b		Roller Pin
	900,502,190.21	All Models
2a		Top Hinge, Main Door
	801,303,730.21	All Models
2b		Top Hinge Spacer
	169,000,150.53	All Models
2c		Standard Flange Nyliner
	901,803,150.01	All Models
3a		Bottom Hinge Sleeve
	900,502,640.11	All Models
3b		Bottom Hinge Pin
	900,502,700.01	All Models
H5	900,900,900.01	Retainer, Roller Pin
E2	900,201,170.01	Carriage Bolt, 1/4 - 20 x 1
B2	900,800,670.01	Keps Nut, 1/4 - 20
C2	901,303,770.01	Flat Washer, Door Hinge
B4	900,800,690.01	Keps Nut, Top Door Hinge 3/8 - 16

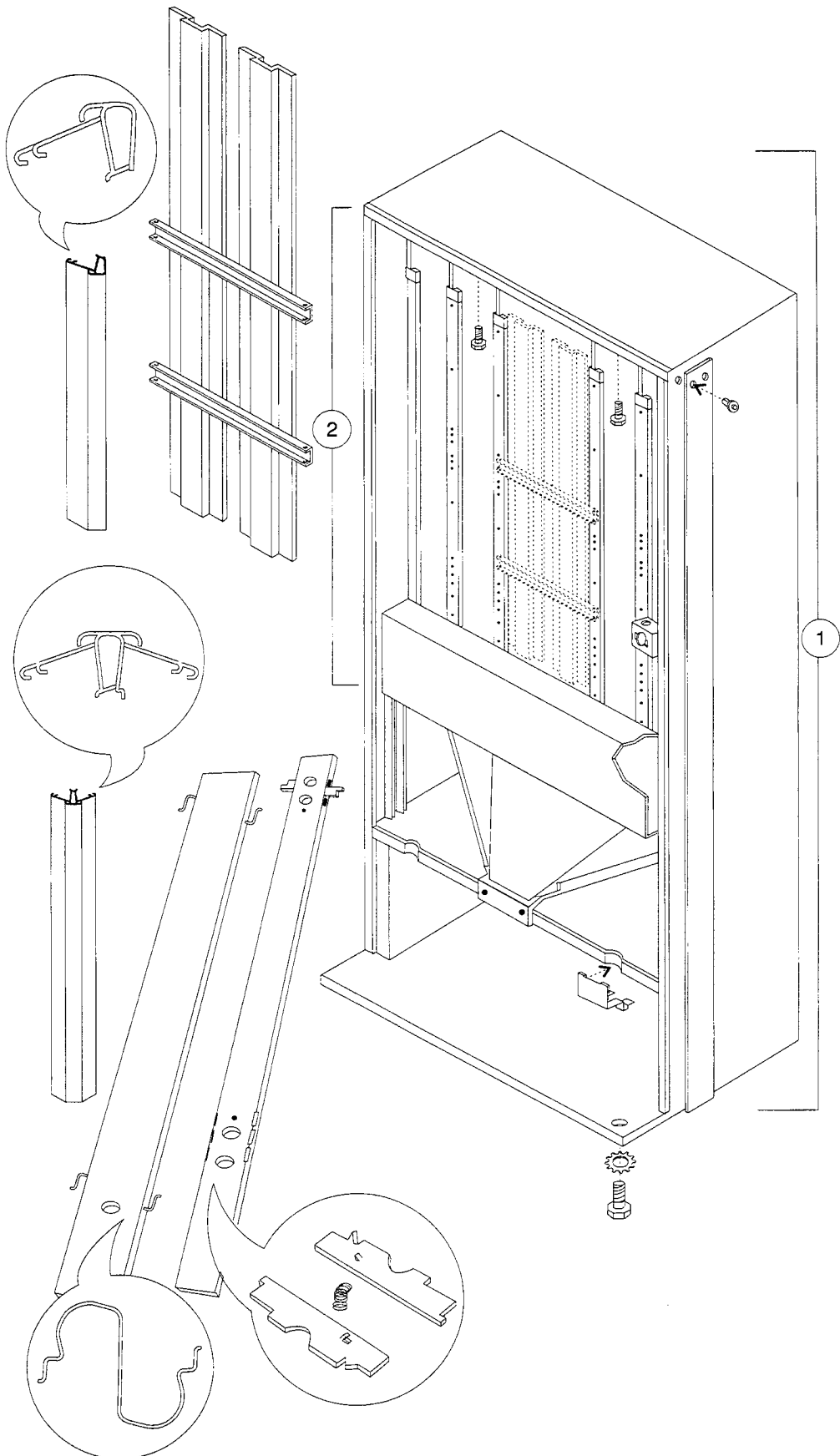
**When Ordering Parts, Indicate Model # And Serial # Of Vender.  
All Parts Numbers And Prices Are Subject To Change Without Notice.**

0495



# Cabinet Interior

Can Display, Cold Drink FLS, Dr Pepper (D3), Generic Round, 7Up (B7),  
Veryfine Circular(0001-3194CO to 0001-6169AS), Veryfine/RC Inverted "L" Circular



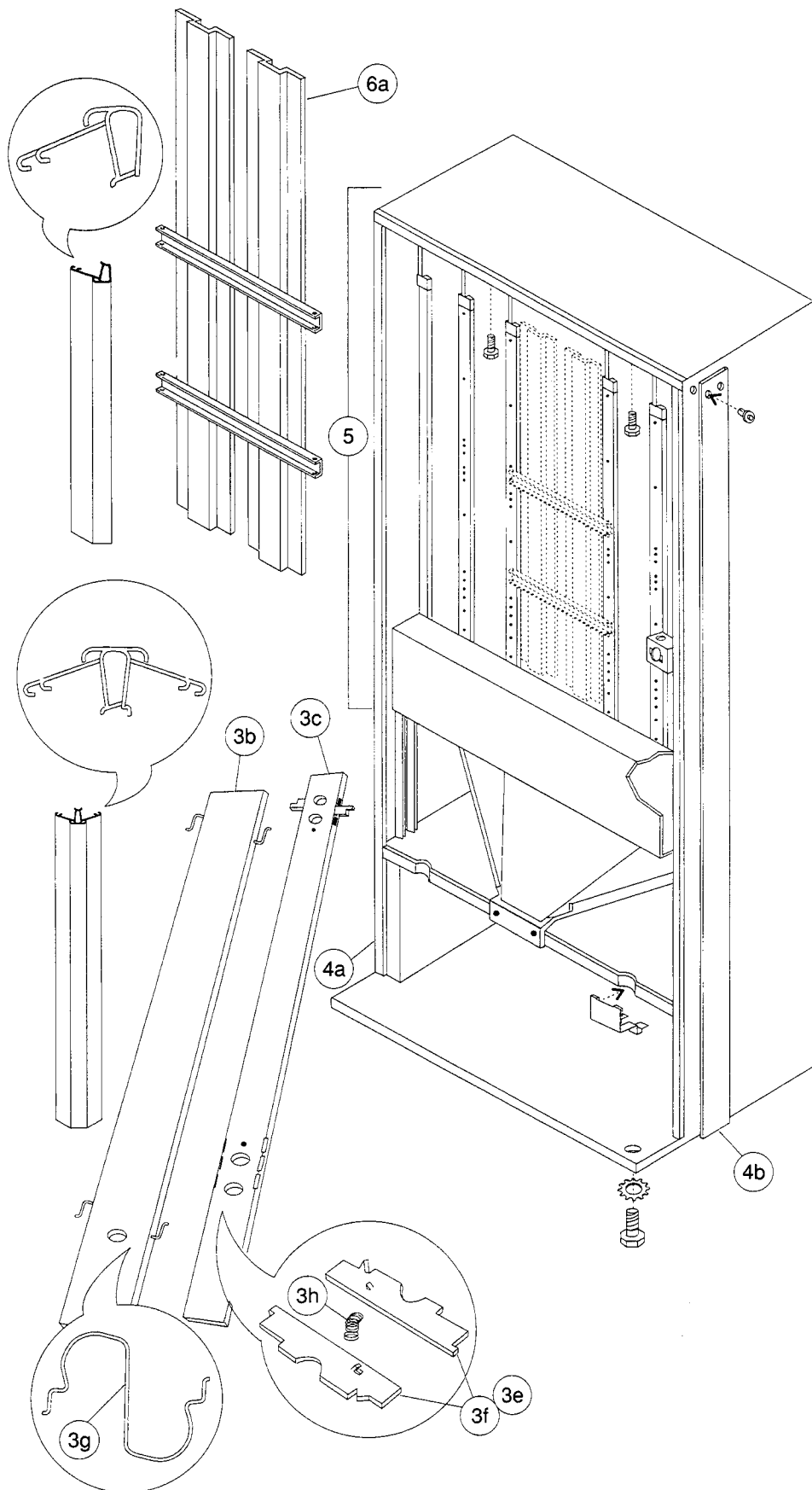
**Can Display, Cold Drink FLS, Dr Pepper (D3), Generic Round, 7Up (B7),  
Veryfine Circular(0001-3194CO to 0001-6169AS), Veryfine/RC Inverted "L" Circular**

Item	Part Number	Part Name And Description By Model Number
1		Foam Cabinet Assembly
	497,000,700.03	600
	498,000,700.03	501/522
	491,000,700.03	414/432/440
	492,000,700.03	348/360/368
	493,000,700.03	276/300
	495,000,700.03	180
2a		600 Stack Assembly (Specify Harness)
	497,070,000.13	Single Price
	497,170,000.13	Two/Four Price
	565,070,000.13	SII
2b		522 Stack Assembly (Specify Harness)
	553,070,000.03	Single Price
	553,270,000.03	Two/Four Price
2c		501 Stack Assembly (Specify Harness)
	498,070,000.13	Single Price
	498,170,000.13	Two/Four Price
	565,070,500.13	SII
	551,070,000.13	MPC
2d		440 Stack Assembly (Specify Harness)
	491,071,800.03	Single Price
	491,170,000.13	Two/Four Price
	492,270,000.13	SII
	530,070,000.03	MPC
2e		432 Stack Assembly (Specify Harness) Dr. Pepper
	447,070,000.03	Single Price
	447,170,000.03	Two/Four Price
2f		414 Stack Assembly (Specify Harness) Dr. Pepper
	499,070,000.13	Single Price
	499,170,000.13	Two/Four Price
2g		368 Stack Assembly (Specify Harness)
	492,070,000.13	Single Price
	492,170,000.13	Two/Four Price
	565,070,600.13	SII
	529,070,000.03	MPC
2h		360 Stack Assembly (Specify Harness)
	443,070,000.03	Single Price
	443,170,000.03	Two/Four Price
	578,070,000.03	SII
2i		348 Stack Assembly (Specify Harness)
	532,070,000.13	Single Price
	532,170,000.13	Two/Four Price
	565,070,700.13	SII
2j		300 Stack Assembly (Specify Harness)
	534,070,000.03	Single Price
	534,170,000.03	Two/Four Price
	565,070,900.03	SII
2k		276 Stack Assembly (Specify Harness)
	493,070,000.13	Single Price
	493,170,000.13	Two/Four Price
2l		180 Stack Assembly (Specify Harness)
	495,070,000.03	Single Price
	495,170,000.03	Two/Four Price
	565,071,000.03	SII
3a		Rear Spacer Assembly, Wide Column (Old Style)
	497,073,100.03	600
	498,070,400.03	501/522
	491,072,500.03	414/432/440
	492,070,700.03	276/300/348/360/368
	504,070,300.03	180

Continued next page

# Cabinet Interior

Can Display, Cold Drink FLS, Dr Pepper (D3), Generic Round, 7Up (B7), Veryfine Circular(0001-3194CO to 0001-6169AS), Veryfine/RC Inverted "L" Circular



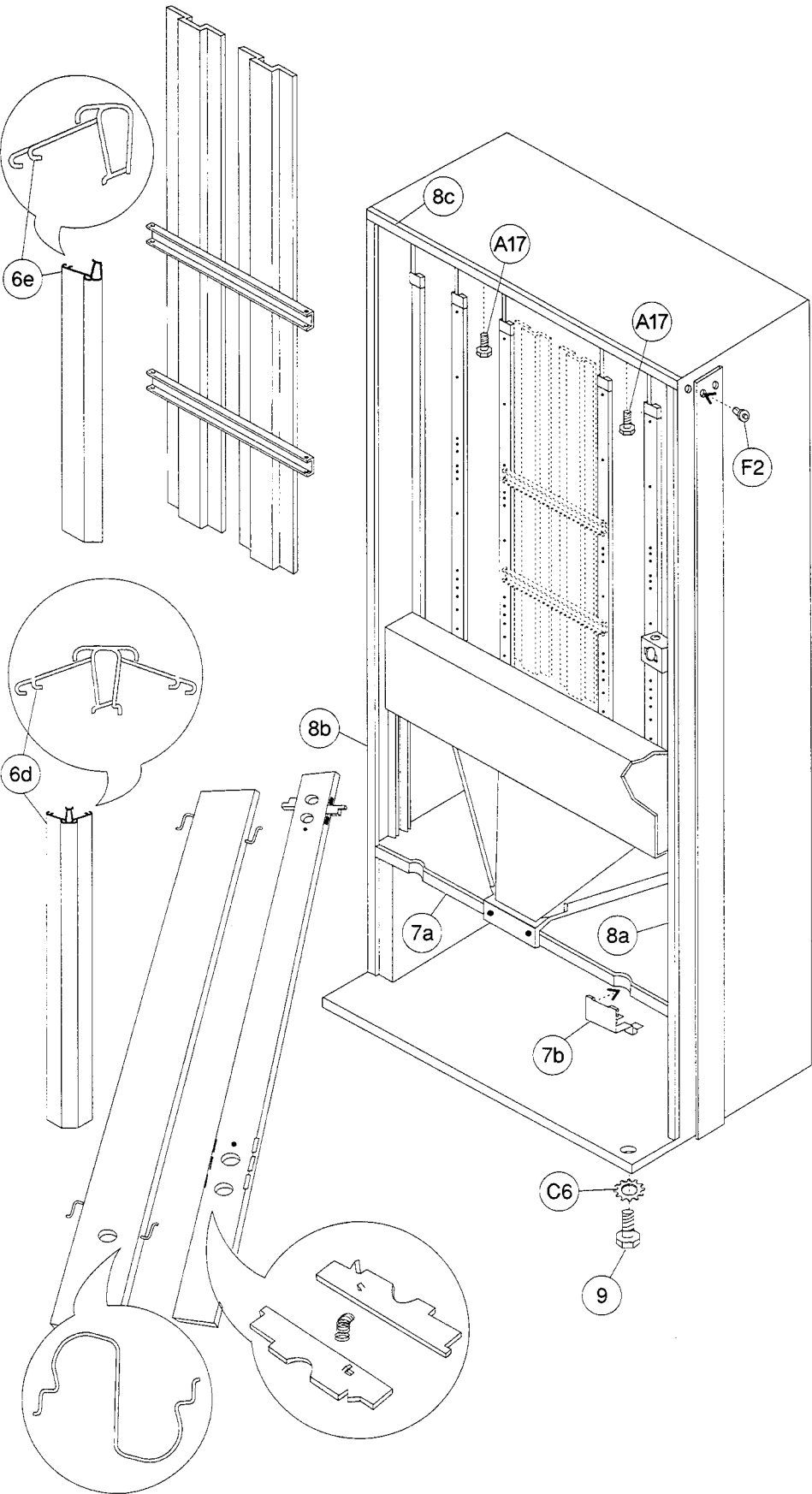
**Can Display, Cold Drink FLS, Dr Pepper (D3), Generic Round, 7Up (B7), Veryfine Circular(0001-3194C0 to 0001-6169AS), Veryfine/RC Inverted "L" Circular**

Item	Part Number	Part Name And Description By Model Number
3b		Rear Spacer/Latch Spring Assembly, Wide Column
	497,073,100.03	600
	498,071,300.03	501/522
	491,072,500.03	414/432/440
	492,070,700.03	276/300/348/360/368
	504,070,500.03	180
3c		Rear Spacer Assembly, Narrow Column (Old Style)
	361,070,230.03	600
	498,071,300.03	501
	267,070,420.13	414/440
	270,070,130.03	276/348/368
3d		Rear Spacer/Latch Spring Assembly, Narrow Column
	497,073,200.03	600
	498,071,400.03	501
	491,072,600.03	414/440
	492,070,800.03	276/348/368
3e		Latch Finger, Long
	361,070,210.03	501/522/600
	267,070,080.53	276/300/348/360/368/414/432/440
3f		Latch Finger, Short
	361,070,120.33	501/600
	267,070,210.43	276/348/368/414/440
3g		Latch Spring
	901,700,880.21	Wide T
	901,700,870.21	Wide
		Latch Spring
	901,700,860.21	Narrow T
	901,700,850.21	Narrow
3h		Rear Spacer Spring (Old Style)
	901,700,690.01	All Models
4a		Protective Plate, Left Side Cabinet
	164,000,031.63	414/432/440/600
	165,000,031.43	276/300/348/360/368/501/522
	168,000,031.61	180
4b		Protective Plate, Right Side Cabinet
	164,000,041.63	414/432/440/600
	165,000,041.63	276/300/348/360/368/501/522
	168,000,041.63	180
5		Stack Sub Assembly
	497,070,700.13	600
	552,070,100.03	600 MPC
	553,070,100.03	522
	498,070,300.13	501
	551,070,100.03	501 MPC
	491,072,000.03	440
	491,070,100.03	440 MPC
	447,070,100.03	432
	499,070,100.13	414
	492,070,100.13	368
	529,070,100.03	368 MPC
	443,070,100.03	360
	532,070,100.13	348
	493,070,100.13	276
495,070,100.03	180	
6a		Gate, weld assembly (metal, old style)
	497,070,200.13	600
	498,070,100.13	501
	491,070,800.03	440
	499,070,200.03	414, Wide
	499,070,300.03	414, Narrow
	492,070,400.03	368
	532,070,200.03	348, Wide
	532,070,300.03	348, Narrow
	493,070,200.03	276

*Continued next page*

**Cabinet Interior**

**Can Display, Cold Drink FLS, Dr Pepper (D3), Generic Round, 7Up (B7), Veryfine Circular(0001-3194CO to 0001-6169AS), Veryfine/RC Inverted "L" Circular**



**Parts List - Cabinet Interior**

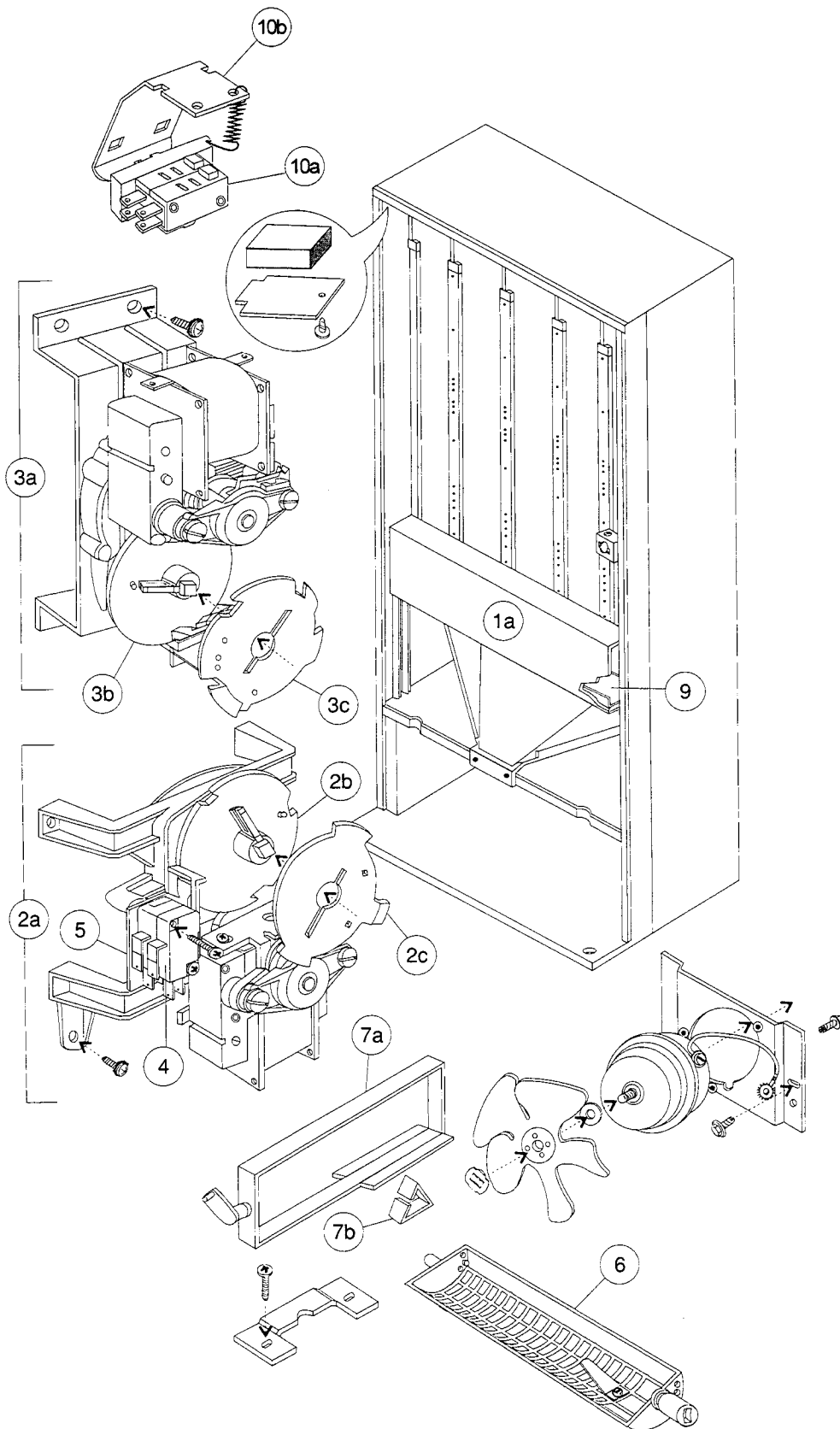
**Dixie-Narco**

**Can Display, Cold Drink FLS, Dr Pepper (D3), Generic Round, 7Up (B7), Veryfine Circular(0001-3194CO to 0001-6169AS), Veryfine/RC Inverted "L" Circular**

Item	Part Number	Part Name And Description By Model Number
6b		Weld Assembly Gate Hinge
	491,071,000.03	276/348/368/440/501/600
	499,070,400.03	348
6c		Gate Latch
	497,070,080.13	Short - 501/600
	231,070,260.73	276/368/440/501/600
	350,070,130.13	348
6d		Gate, Plastic - Double Arm
	801,803,560.01	17" (168)
	801,808,380.01	32" (276/300/348/368)
	801,808,020.11	39 1/2 (440)
	801,808,500.01	12" (501)
	801,808,520.01	19" (600)
	801,808,480.01	15 1/2" (501/600)
6e		Gate, Plastic - Single Arm
	801,808,370.01	32" (276, 348)
	801,808,510.01	12" (501)
	801,808,530.01	19" (600)
	801,808,490.01	15 1/2" (501/600)
	801,808,550.01	17" (168)
	801,808,540.01	39 1/2" (414)
7a		Mullion
	801,806,230.41	348/360/368/414/432/440/501/522/600
	801,806,280.51	180/276/300
7b		Mullion Cover
	801,303,830.21	All Models
8a		Breaker Strip, Right
	491,020,150.13	414/432/440/600
	492,020,040.13	276/300/348/360/368/501/522
	495,020,030.13	180
8b		Breaker Strip, Left
	491,020,160.13	414/432/440/600
	492,020,050.13	276/300/348/360/368/501/522
	495,020,040.13	180
8c		Breaker Strip, Top
	491,020,170.03	348/360/368/414/432/440/501/522/600
	493,020,060.13	180/276/300
9		Leveling Leg, 5/8" - 11 X 2 1/16"
	900,502,490.71	All Models
10		Mounting Bracket Rear
	491,070,020.23	276/300/348/360/368/414/432/440/501/522/600
	350,170,020.33	348/414/501/600
	445,070,030.23	180
11		Rodent Guards
	474,010,130.23	Wide
	476,010,040.23	Narrow
12		Transformer, Basler Isolation (not shown)
	804,400,360.11	All Models
13		Transformer, Jumper (not shown)
	804,902,170.21	All Models
14a		Heyco Wire Clip #3699 (not shown)
	901,902,280.01	All Models
14b		Cable Clamp, Green (3C20247-3-1) (not shown)
	900,901,590.01	All Models
F1	901,100,430.01	Pop Rivet, Aluminum 1/4"
A17	900,302,010.01	Screw, Self Tapping, 1/4 - 20 x 5/8"
F2	901,100,440.01	Drive Rivet, 1/4" #38-108-06-13
C6	900,700,890.01	Lock Washer, Shakeproof 5/8" (1132-00-00-0551)
F6	901,100,530.01	Pop Rivet, 1/8"
F5	901,100,610.11	Pop Rivet, 1/8" Steel (Zinc Plated)

# Cabinet & Vend Mechanism

Can Display, Cold Drink FLS, Dr Pepper (D3), Generic Round, 7Up (B7),  
Veryfine Circular(0001-3194CO to 0001-6169AS), Veryfine/RC Inverted "L" Circular



**Can Display, Cold Drink FLS, Dr Pepper (D3), Generic Round, 7Up (B7), Veryfine Circular(0001-3194C0 to 0001-6169AS), Veryfine/RC Inverted "L" Circular**

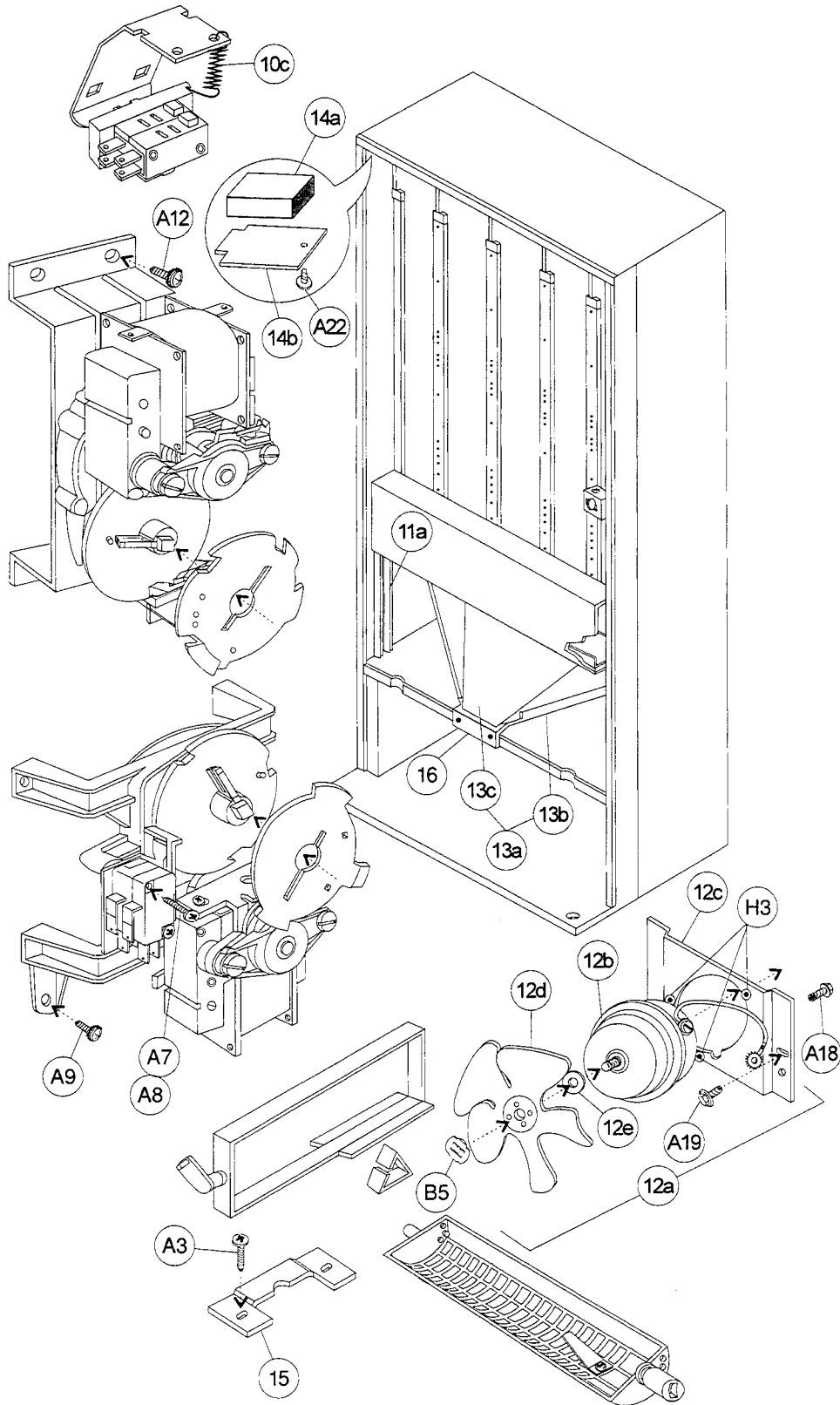
Item	Part Number	Part Name And Description By Model Number
1a		Assembly, Vend Motor Covers
	491,071,600.04	Wide, Except 7UP
	511,070,000.04	Wide, 7UP Only
	493,170,100.04	Narrow, Except 7UP
	468,070,000.04	Narrow, 7UP Only
2a		Vend Motor Assembly, Wide - 501/522/600
	497,070,800.03	Single Price & MPC
	497,170,100.03	Two/Four Price
	565,070,200.03	SII
		Vend Motor Assembly, Wide - 168/180/276/300/348/360/368/414/432/440
	491,070,300.03	Single Price & MPC
	491,170,100.03	Two/Four Price
	572,070,100.03	SII
2b		Vend Cam
	801,806,390.41	Blue
	801,806,410.41	Green
2c		Adjustable Cam
	801,806,400.11	Gold
3a		Vend Motor Assembly, Narrow - 501/600
	497,070,900.03	Single Price
	497,170,200.03	Two/Four Price
	565,070,100.03	SII
	551,070,200.03	MPC
		Vend Motor Assembly, Narrow - 168/276/348/368/414/440
	491,070,400.03	Single Price
	491,170,200.03	Two/Four Price
3b		Vend Cam
	801,806,180.91	Brown
3c		Adjustable Cam
	801,806,611.01	Brown
4		Vend Motor Switch
	804,100,690.01	MPC & Single Price, Double Switch
	804,100,700.01	Two/Four Price, Triple Switch
	804,100,730.01	SII, Single Switch
	804,100,550.11	MPC - narrow vend motor, Single Switch
5		Vend Motor Switch Insulator
	905,800,330.11	All Models
6		Vend Rotor-Narrow Column
	801,201,211.61	Double Depth - 168/276/348/368/414/440
	801,201,230.01	Triple Depth Can - 501/600
	801,201,220.01	Triple Depth Wide - 501/600
7a		Vend Oscillator - Wide Column
	801,201,010.41	Double Depth - 180/276/300/348/360/368/414/432/440
	801,201,020.31	Triple Depth - 501/522/600
7b		Can Retainer- Oscillators
	901,700,650.31	prior to 6186
	801,807,870.11	6186 & higher
8a		Nyliner
	801,803,170.01	Rear (not shown) All Models
8b		Nyliner
	901,804,230.01	Front-Wide Columns Only (not shown) All Models
9		Wire Shield
	267,070,370.43	Wide
	275,070,110.53	Narrow
10a		Sold Out Switch Assembly
	804,100,680.51	NON SII, NON MPC, & #1 Column on MPC's
	804,100,750.41	SII
	804,100,630.01	MPC
10b		Sold Out Paddle
	432,070,190.23	All Models

*Continued next page*



# Cabinet & Vend Mechanism

Can Display, Cold Drink FLS, Dr Pepper (D3), Generic Round, 7Up (B7),  
Veryfine Circular(0001-3194C0 to 0001-6169A5), Veryfine/RC Inverted "L" Circular



**Parts List - Cabinet & Vend Mechanism**

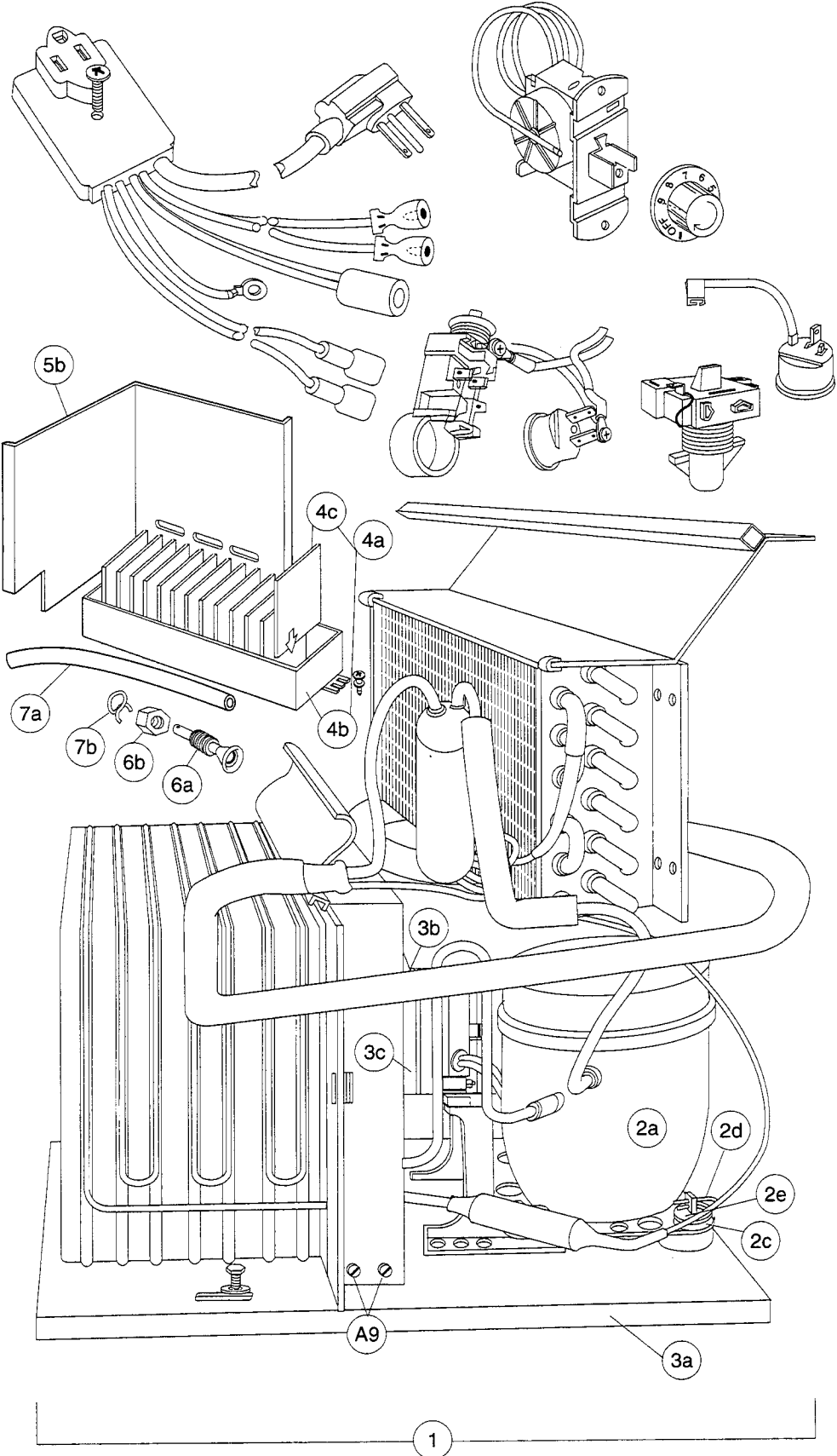
**Dixie-Narco**

**Can Display, Cold Drink FLS, Dr Pepper (D3), Generic Round, 7Up (B7), Veryfine Circular(0001-3194CO to 0001-6169AS), Veryfine/RC Inverted "L" Circular**

Item	Part Number	Part Name And Description By Model Number
10c		Sold Out Paddle Spring
	901,700,740.21	All Models
11a		Mechanism Support
	497,070,010.33	Mechanism Support 501/522/600
	491,020,070.33	Mechanism Support 180/276/300/348/360/368/414/432/440
11b		Mechanism Runner (Not shown)
	164,070,380.53	348/360/368/414/432/440
12a		Evaporator Fan Motor Assembly
	491,000,200.13	115V All Models
	491,140,400.03	220-240V All Models
12b		Evaporator Fan Motor
	804,500,590.21	115V All Models
	804,500,520.11	220-240V All Models
12c		Evaporator Fan Motor Bracket
	164,040,080.83	All Models
12d		Evaporator Fan Blade
	801,303,270.11	All Models
12e		Silencer
	902,100,290.01	All Models
13a		Can Chute Assembly (Includes 13b & 13c)
	497,071,300.03	T-Model
	480,070,100.03	Wide
	408,170,100.03	Narrow, Off Center
	408,070,200.03	Narrow, 7UP Only
	408,120,100.03	Narrow, Dr. Pepper Only
13b		Can Chute
	324,000,010.93	T-Model
	211,170,010.43	Wide
	408,070,010.23	Narrow, Off Center
	211,170,010.43	Narrow 7UP/Dr. Pepper Only
13c		Chute Liner (Kydex)
	801,902,700.11	T-Model
	801,902,690.01	Wide
	801,902,680.01	Narrow, Off Center
	801,901,820.01	Narrow, 7UP/Dr. Pepper Only
14a		Foam Block
	903,300,770.01	All Models
14b		Hinge Pocket Cover
	169,000,130.83	All Models
15		Journal
	176,072,110.13	All Models
16		Support, Can/Bottle Chute - 276/501/600
	172,070,530.03	All Models
A19	900,901,510.11	Screw, Phil Pan Tapping #10 - 32 x 5/8"
A3	900,301,830.11	Screw, Phil Pan Swage Form #10 - 32 x 5/16"
A22	900,301,840.01	Screw, Phil Pan #8 x 1/2"
A18	900,301,690.21	Screw, Hex Head Swage Form #8 - 36 x 3/8"
A6	900,300,470.01	Screw, Vend Motor #4 x 3/4" Single Switch
A7	900,301,820.01	Screw, Vend Motor #4 x 1 1/16" Double Switch
A8	900,301,610.01	Screw, Vend Motor #4 x 1 1/2" Triple Switch
A9	900,301,560.11	Screw, Phil Pan Swage Form #8 - 32 x 3/8"
H3	900,401,090.01	Grommet Bk. Rubber #97
B5	900,800,850.01	Speed Nut
A12	900,301,850.01	Screw, Phil Thread Form #8 - 32 x 5/8"

# Refrigeration System

Can Display, Cold Drink FLS, Dr Pepper (D3), Generic Round, 7Up (B7),  
Veryfine Circular(0001-3194CO to 0001-6169AS), Veryfine/RC Inverted "L" Circular



**Parts List - Refrigeration System**

**Dixie-Narco**

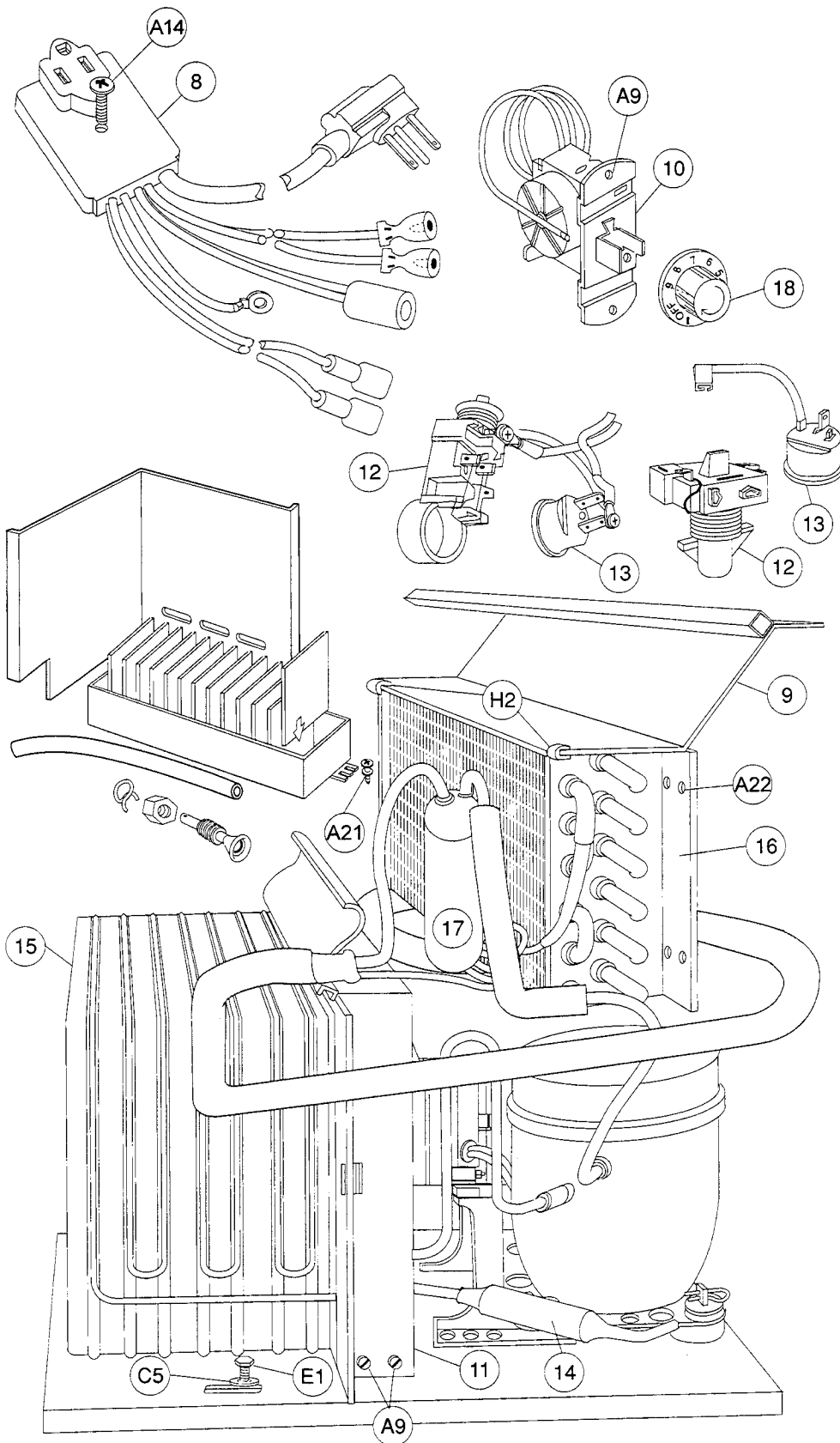
**Can Display, Cold Drink FLS, Dr Pepper (D3), Generic Round, 7Up (B7), Veryfine Circular(0001-3194C0 to 0001-6169AS), Veryfine/RC Inverted "L" Circular**

<b>Item</b>	<b>Part Number</b>	<b>Part Name And Description By Model Number</b>
1	Provide information listed	Complete S1/3 HP Refrigeration System: 501/600 Indicate unit model number from serial plate on unit base plate, refrigerant, voltage/hertz and country.
	Provide information listed	Complete 1/3 HP Refrigeration System: 348/360/368/414/432/440 Indicate unit model number from serial plate on unit base plate, refrigerant, voltage/hertz and country.
	Provide Information listed	Complete 1/4 HP Refrigeration System: 276 Indicate unit model number from serial plate on unit base plate, refrigerant, voltage/hertz and country.
2a	Provide information listed	Compressor S1/3 HP: Indicate compressor manufacturer, voltage/hertz, refrigerant and complete manufacturer's model number.
	Provide information listed	Compressor 1/3 HP: Indicate compressor manufacturer, voltage/hertz, refrigerant and complete manufacturer's model number.
	Provide information listed	Compressor 1/4 HP: Indicate compressor manufacturer, voltage/hertz, refrigerant and complete manufacturer's model number.
2b		Compressor Lead Harness (not shown)
	904,900,611.11	All, Except IEC Standard
	804,905,320.21	S1/3HP & 1/3 HP 220-240v/50hz, Europe
	804,905,340.21	1/4 HP 220-240v/50hz, Europe
2c		Compressor Mounting Grommet
	902,000,570.11	All Models
2d		Compressor Mounting Retainer Clip
	900,901,880.01	All Models
2e		Compressor Grommet Plug Plastic
	901,803,910.01	All Models
3a		Condenser Base Plate, 1/4 & 1/3
	491,040,040.83	All Models
3b		Condenser Fan Motor Assembly
	491,040,200.03	115V - All Models
	491,140,300.03	220-240V
3c		Condenser Fan Motor
	804,500,670.21	115V - All Models
	804,500,700.31	220-240V - All Models
3d		Fan Blade, Condenser
	800,103,370.02	All Models
4a		Drain Pan Assembly w/ Fiberglass Soakers
	491,000,100.23	All Models
4b		Drain Pan, Plastic with Fingers
	801,804,240.71	All Models
4c		Soaker, Fiberglass (14 required)
	905,800,690.01	All Models
5a		Condenser Baffle, Right Side
	491,040,050.73	Wide Venders (not shown)
	493,040,030.53	Narrow Venders
5b		Condenser Baffle, Rear
	497,040,060.33	501/600
	491,040,060.93	360/348/368/414/432/440
	493,040,040.43	180/276
6a		Drain Tube
	801,806,050.21	All Models
6b		Drain Tube Nut
	900,301,790.01	All Models
7a		Drain Hose
	901,900,500.11	All Models
7b		Drain Hose Clamp
	900,901,030.01	All Models

Continued next page

# Refrigeration System

Can Display, Cold Drink FLS, Dr Pepper (D3), Generic Round, 7Up (B7),  
Veryfine Circular(0001-3194C0 to 0001-6169AS), Veryfine/RC Inverted "L" Circular



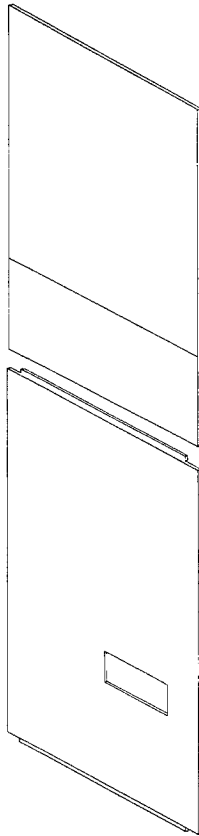
**Can Display, Cold Drink FLS, Dr Pepper (D3), Generic Round, 7Up (B7), Veryfine Circular(0001-3194CO to 0001-6169AS), Veryfine/RC Inverted "L" Circular**

Item	Part Number	Part Name And Description By Model Number
8		Main Wiring Harness
	804,902,220.61 (a)	United States & Mexico
	804,902,140.71 (b)	Australia, IEC 335
	804,905,490.11 (c)	United Kingdom, Ireland, IEC 335
	804,902,160.21 (d)	Europe, Italy, Korea, & Paris, France
	804,905,470.11 (e)	Denmark, IEC 335
	804,905,360.01 (f)	Germany, Spain, Italy, France, Holland, Poland, Switzerland, & Greece w/ Splashwater Protector
9		Top Fan Housing
	236,040,030.03	Long - T-Model Venders
	211,040,030.13	Short - Wide Venders
	143,040,011.33	Narrow Venders
10		Temperature Control
	802,800,410.11	All Models
11		Fan Shroud Condenser
	491,040,110.43	All Models
12	Provide information listed	Relay (Indicate compressor manufacturer, model #, and voltage/hz.)
13	Provide information listed	Overload (Indicate compressor manufacturer, model #, and voltage/hz.)
14		Dryer, Extended Outlet
	802,401,230.11	S1/3 HP (R12)
	802,401,240.11	1/3 HP (R12)
	802,401,260.11	1/4 HP (R12)
15		Condenser
	802,600,540.01	S 1/3 HP "A" (T-model)
	802,600,550.01	1/3 HP "B"
	802,600,560.01	1/4 HP "C"
16		Evaporator
	802,600,370.61	Short
	802,600,500.11	Long
17		Accumulator
	802,400,460.01	All Models
18		Knob, Temperature Control
	802,800,420.21	All Models
A21	900,301,980.01	Screw, Phil Pan Shoulder #8 - 18 x 17/32"
A22	900,301,840.01	Screw, Phil Pan #8 X 1/2"
A9	900,301,560.11	Screw, Phil Pan Swage Form #8 - 32 x 3/8"
A14	900,301,810.21	Screw, Phil Pan Form #10 - 32 x 1 1/2"
C5	900,700,360.01	Lockwasher, Split 3/8"
H2	900,901,890.01	Tinnerman Clip
E1	900,400,440.01	Refrigeration Bolt, 3/8-16 x 1"

**When Ordering Parts, Indicate Model # And Serial # Of Vender.  
All Parts Numbers And Prices Are Subject To Change Without Notice.**

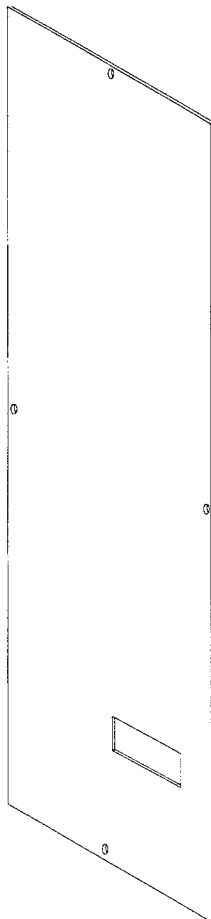
**Signs & Side Decals**

**Can Display**



**Signs & Side Decals**

**Cold Drink FLS**



**Can Display**

Item	Part Number	Part Name And Description By Model Number
1		Can Display Signs
	805,009,570.01	360/368/501 Black Display
	805,006,540.01	180 Display Window
	805,007,950.01	360/368/501 Brown Display, West Germany
	805,008,060.01	360/368/501 Brown Display
	805,010,260.01	360/368/501 International Display

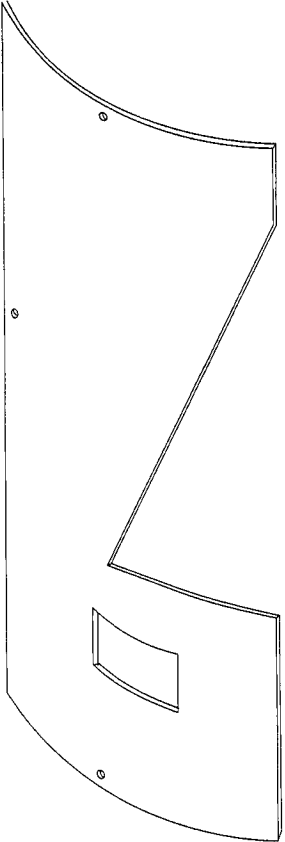
**Cold Drink FLS**

Item	Part Number	Part Name And Description By Model Number
1		Cold Drink FLS Signs
	805,011,750.01	180 Cold Drink Black FLS
	805,011,760.01	180 Cold Drink IBS FLS
	805,012,840.01	180 Can On Ice FLS
	805,011,550.01	276 Cold Drink Brown FLS
	805,011,020.01	276/300 Cold Drink FLS Black
	805,011,360.01	276/300 Cold Drink IBS FLS
	805,011,370.01	276/300 Cold Drink WS FLS
	805,011,410.01	276/300 Cold Drink IRS FLS
	805,011,770.01	276/300 Red Domestic FLS
	805,011,860.01	276/300 Can On Ice Domestic FLS
	805,010,700.01	348/360/368/501 Cold Drink FLS DBS
	805,010,710.01	348/360/368/501 Cold Drink FLS BRN
	805,011,030.01	348/360/368/501 Cold Drink FLS W/KPL
	805,011,080.01	348/360/368/501 IRS FLS
	805,011,110.01	348/360/368/501 Can FLS
	805,011,180.01	348/360/368/501 Cold Drink Red Dom. FLS
	805,011,650.01	348/360/368/501 Cold Drink Brown IBS FLS
	805,011,070.01	440/600 IRS FLS
	805,011,090.01	440/600 Can On Ice FLS
	805,011,660.01	440/600 Cold Drink Black Export FLS



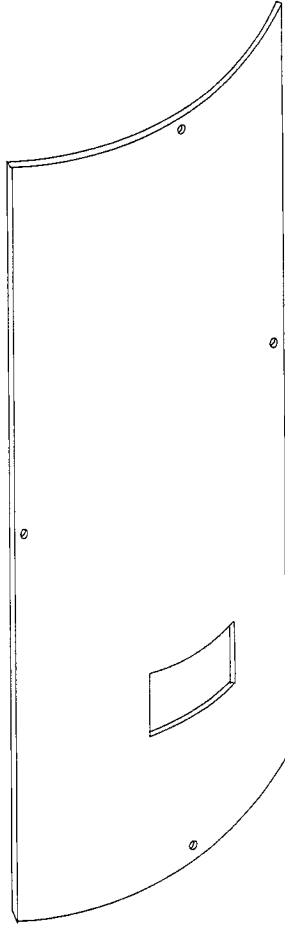
Signs & Side Decals

Dr Pepper (D3)



Signs & Side Decals

Generic Round



**Dr Pepper (D3)**

Item	Part Number	Part Name And Description By Model Number
1		Dr. Pepper Signs
	805,007,010.01	368/501 Dr. Pepper
	805,007,000.01	440/600 Dr. Pepper
	805,007,020.01	440/600 Dr. Pepper Side Display
	805,700,030.01	368/501 Dr. Pepper Side Display
	805,007,070.01	276 Dr. Pepper
	805,007,080.01	180 Dr. Pepper
	805,008,380.01	440/600 Dr. Pepper Bottle Graphics
	805,008,480.01	368/501 Dr. Pepper Bottle Graphics
	805,012,390.01	440/600 Dr. Pepper Can On Ice
	805,012,410.01	368/501 Dr. Pepper Can On Ice
	805,012,420.01	440/600 Diet Dr. Pepper Can On Ice
	805,012,430.01	368/501 Diet Dr. Pepper Can On Ice
	805,012,910.01	368/501 Dr. Pepper Bottle On Ice
2		Dr. Pepper Side Decals
	803,824,000.01	501 Dr. Pepper
	803,823,990.01	600 Dr. Pepper
	803,824,010.01	440 Dr. Pepper
	803,824,020.01	368 Dr. Pepper
	803,824,040.01	180 Dr. Pepper
	803,827,630.01	368 Diet Dr. Pepper
	803,827,650.01	501 Diet Dr. Pepper
	803,827,660.01	440 Diet Dr. Pepper
	803,829,840.01	180 Diet Dr. Pepper
	803,830,370.01	600 Diet Dr. Pepper

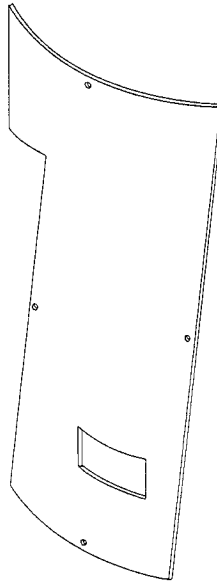
**Generic Round**

Item	Part Number	Part Name And Description By Model Number
1		Generic Round Signs
	805,009,820.01	348/360/368/501 Cold Drink Black Domestic
	805,007,500.01	348/360/368/501 Bottle with Straw, International Red Sign
	805,007,510.01	348/360/368/501 Black International
	805,007,700.01	348/360/368/501 Cold Drink White
	805,009,610.01	348/360/368/501 Clear
	805,010,480.01	414/440/600 Cold Drink International Black Sign
	805,011,040.01	348/360/368 Can On Ice Domestic
	805,011,050.01	414/440/600 Can On Ice Domestic
	805,007,160.01	348/360/368/501 RC Line Graphic
	805,007,980.01	414/440/600 RC
	805,007,990.01	348/360/368/501 RC 2 Can On Ice
	805,007,410.01	414/440/600 Big Red
	805,009,600.01	348/360/368/501 Big Red
	805,012,810.01	414/440/600 Big Red Can On Ice
	2	
803,834,370.01		348/360/368 Cold Drink Brown
803,834,380.01		348/360/368 Cold Drink Black
803,834,400.01		501 Cold Drink Black
803,834,410.01		501 Cold Drink Brown
803,839,340.01	414/440 RC New Graphics (2/10/94)	

\* For signs or decals not listed, give vender model number and description of graphics or text.

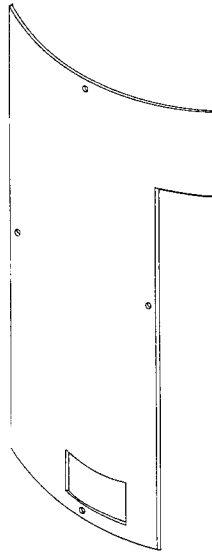
**Signs & Side Decals**

**7Up (B7)**



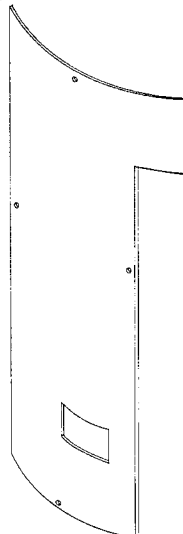
**Signs & Side Decals**

**Veryfine Circular (0001-3194C0 to 0001-6169AS)**



**Signs & Side Decals**

**Veryfine/RC Inverted "L" Circular**



**7Up (B7)**

Item	Part Number	Part Name And Description By Model Number
1		7UP Signs
	805,010,600.01	414/432/440 7UP Can On Ice High Impact Graphics
	805,011,010.01	348/360/368 7UP Can On Ice High Impact Graphics
	805,009,510.01	414/432/440 7UP Can On Ice
	805,010,030.01	414/432/440 7UP UnCola No Caffeine
	805,010,010.01	348/360/368 7UP UnCola No Caffeine
2		7UP Side Decals
	803,829,650.01	414/432/440 7UP
	803,829,660.01	276/348/360/368 7UP
	803,830,350.01	414/432/440 7UP International

**Veryfine Circular (0001-3194CO to 0001-6169AS)**

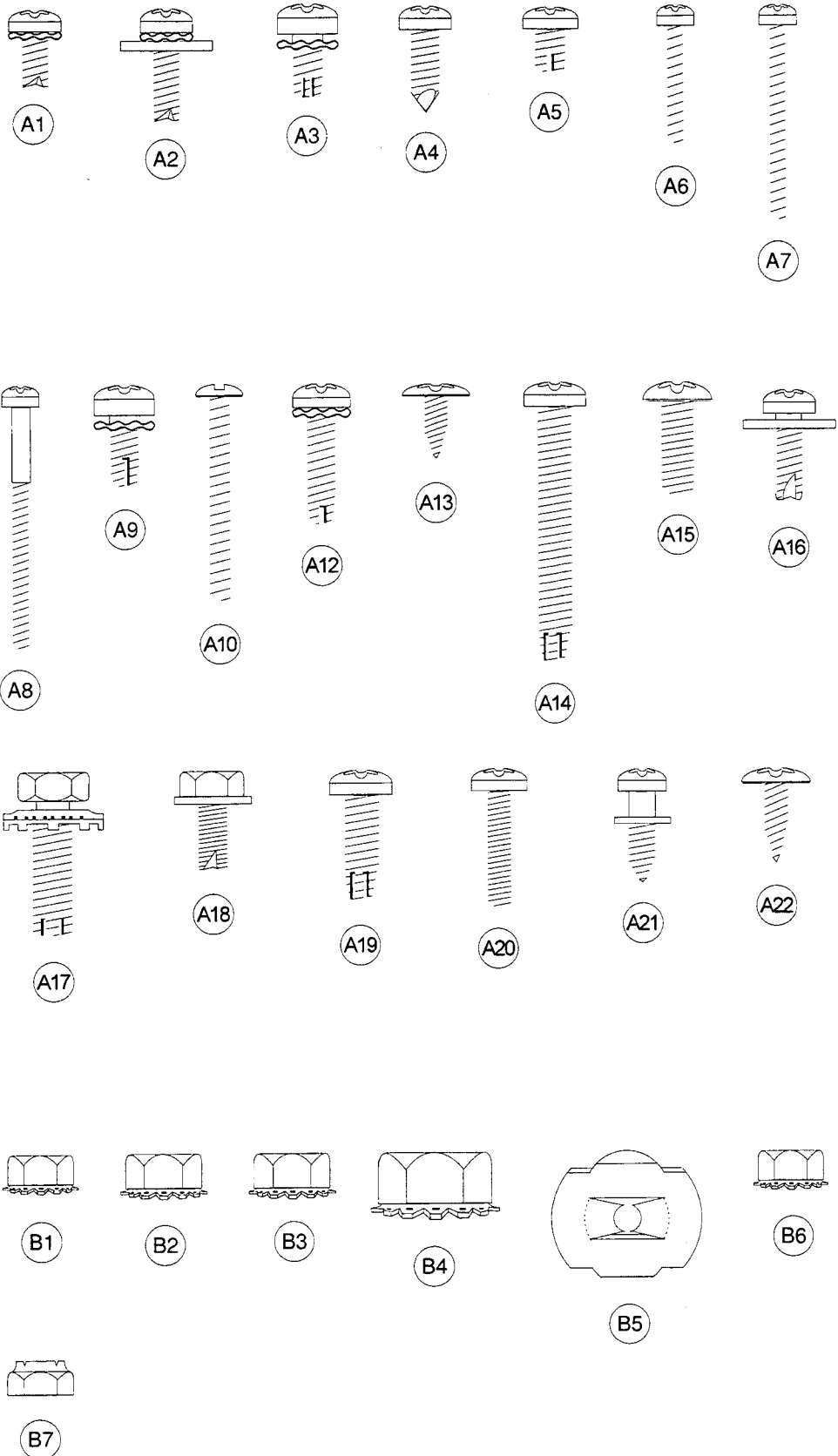
Item	Part Number	Part Name And Description By Model Number
1		Veryfine Signs
	805,009,340.41	360/368/501 Veryfine
2		Veryfine Side Decals
	803,827,490.01	368 Decal, Veryfine (1990)
	803,841,290.01	Decal, Veryfine Apple Cranberry Juice Red (1994)
	803,821,880.01	368 Decal, Veryfine
	803,827,500.01	501 Decal, Veryfine (1990)
	803,829,520.01	360 Decal, Veryfine Bottle
	803,840,360.01	368 Decal, Veryfine (1994 Graphics)
	803,841,990.01	501 Decal, Veryfine (6/24/94)
	803,842,410.01	368 Decal, Veryfine New Graphics (7/27/94)

**Veryfine/RC Inverted "L" Circular**

Item	Part Number	Part Name And Description By Model Number
1a		Veryfine Signs
	805,012,540.21	368/501/522 Veryfine 94NG "L"
	805,013,430.01	368/501/522 Veryfine Cranapple Bottle w/4 "L"
1b		RC Signs
	805,012,610.01	414/440 RC NG Inverted "L"
2a		Veryfine Side Decals
	803,842,410.01	368 Veryfine Decal NG (7/27/94)
	803,841,990.01	501/522 Veryfine Decal (6/24/94)
	803,841,290.01	368 Veryfine Apple Cranberry Juice Red 1994
	803,840,360.01	368 Veryfine 1994 Graphics
	803,829,520.01	368 Veryfine Bottle
	803,821,880.01	368 Veryfine
	803,827,500.01	501/522 Veryfine 1990
803,827,490.01	368 Veryfine 1990	
2b		RC Side Decals
	803,839,340.01	414/440 RC NG (2/10/94)

# Screws & Nuts

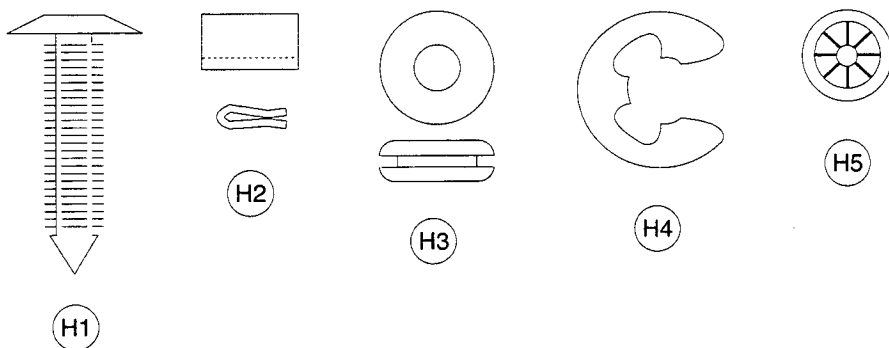
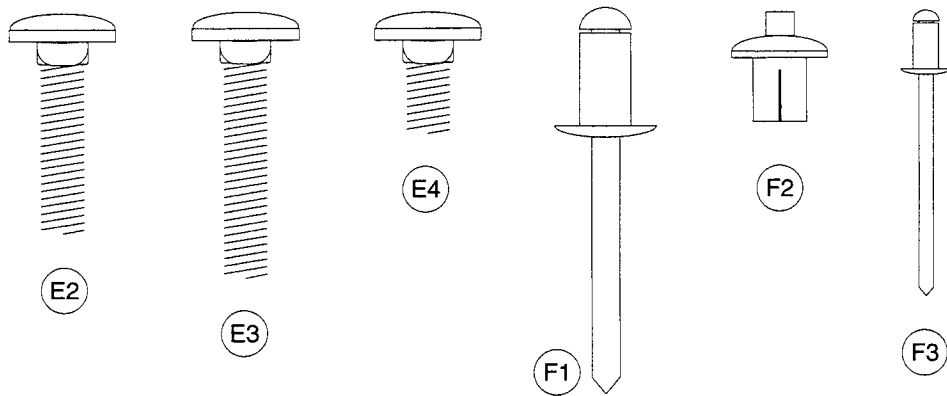
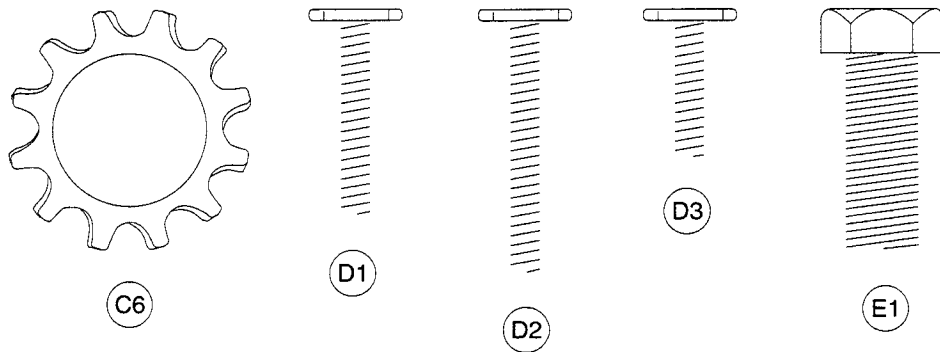
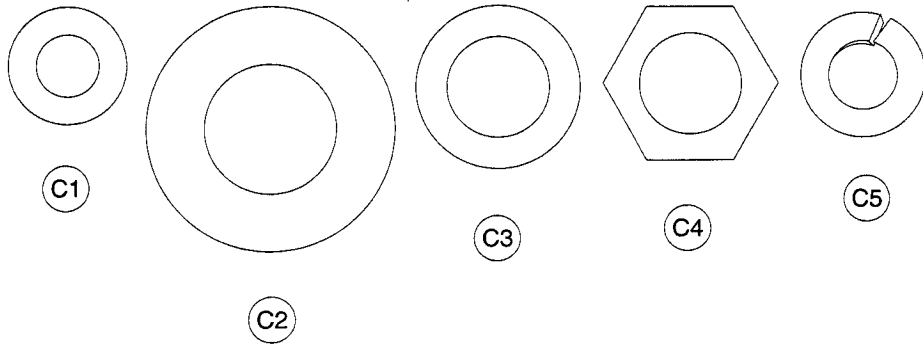
Can Display, Cold Drink FLS, Dr Pepper (D3), Generic Round, 7Up (B7),  
Veryfine Circular(0001-3194C0 to 0001-6169AS), Veryfine/RC Inverted "L" Circular





# Washers, Bolts & Misc. Hardware

Can Display, Cold Drink FLS, Dr Pepper (D3), Generic Round, 7Up (B7),  
Veryfine Circular(0001-3194CO to 0001-6169AS), Veryfine/RC Inverted "L" Circular







# MPC/SII Components

Can Display, Cold Drink FLS, Dr Pepper (D3), Generic Round, 7Up (B7),  
Veryfine Circular(0001-3194CO to 0001-6169AS), Veryfine/RC Inverted "L" Circular

